

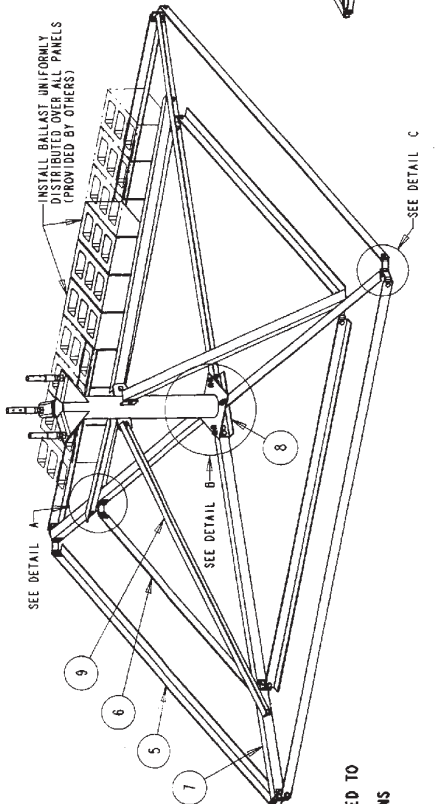
ZONE	REV	DESCRIPTION	DATE	APPROVED

REVISIONS	DESCRIPTION	DATE	APPROVED
1			
2			
3			

25G BRM BILL OF MATERIAL		DWG NO
ITEM	QTY PART NO DESCRIPTION	B990928
1	1 KY2699 MAST SUB ASSEMBLY - 25G BRM	A990147
2	3 KY2698 ADJUSTABLE TOWER LEG STUB	D890722
3	6 230032 NUT 3/4 HEX FIN TO HDG (-10) PURCHASED	
4	1 BRM6X GRAB MOUNT ANGLE PKG F/BRM6	

BRM6X BILL OF MATERIAL		DWG NO
ITEM	QTY PART NO DESCRIPTION	B890740
5	4 KY1571 BRM6 BASE GRIT OUTER	B890744
6	4 KY1572 BRM6 BASE GRIT INNER	B890738
7	4 KY1573 BRM6 BASE DIAGONAL	B890739
8	1 KY1574 BRM6 BASE ANGLE CENTER	B890741
9	4 KY1575 BRM6 KNEE BRACE ANGLE	
10	1 KY1577A HARDWARE KIT	

KY1577A HARDWARE KIT BILL OF MATERIAL		DWG NO
ITEM	QTY PART NO DESCRIPTION	B881269
11	44 240085 NUT 1/2 HEX HDG PURCHASED	
12	44 2100796 BOLT 3/8 X 1 PURCHASED	
13	16 KY1576 BASE CLIP 45° x 3/16 PLATE	



GENERAL NOTES:

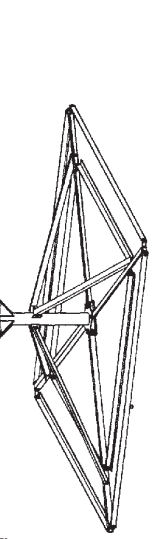
- PRIOR TO INSTALLATION, VERIFY THAT THE INSTALLATION, ROOF MATERIAL AND SUPPORTING STRUCTURE HAVE BEEN INVESTIGATED AND FOUND CAPABLE OF WITHSTANDING ALL LOADS IMPOSED BY THE PROPOSED ANTENNA SYSTEM. CONFIRM THAT THE SUPPORTING SURFACES, ANCHORS, AND/OR SAFETY CABLES, IF REQUIRED, HAVE BEEN FOUND TO BE ADEQUATE TO RESIST THE REACTIONS FROM THE ANTENNA SYSTEM AND THAT THE INSTALLATION WILL BE IN CONFORMANCE WITH ALL APPLICABLE LOCAL, STATE AND FEDERAL REQUIREMENTS.
- ALL ANTENNA INSTALLATIONS MUST BE GROUNDED TO MEET APPLICABLE CODES.
- SAFETY CABLE KITS CONSISTING OF A 3/16 ERS SAFETY CABLE (3390 LBS ULTIMATE STRENGTH) WITH SIX CLAMPS TO SECURE MOUNT AND/OR BALLAST ARE AVAILABLE AS AN OPTION. USE THREE CABLE CLAMPS AT EACH END CONNECTION WITH THE U-BOLTS ON THE DEAD END OF THE CABLE.

SAFETY CABLE LENGTH	PART NUMBER
50FT	SCS50
100FT	SCS100
150FT	SCS150

4. ROOF PADS ARE AVAILABLE AS AN OPTION. PART NUMBER B0864D
 5. THE BALLAST WEIGHTS ARE TO BE DETERMINED BY THE USER. SEE DRAWING FOR INITIAL TENSION IN BOLT.
 6. FOR ASSISTANCE IN DETERMINING BALLAST REQUIREMENTS REFER TO DRAWING ASS2694, 1-3.

THE 25G BRM BASE IS DESIGNED TO SUPPORT NO MORE THAN TWO STANDARD 25G TOWER SECTIONS

SHOWN WITH POTENTIAL OPTION OF 25G SECTION TOPPED WITH A 25AG SECTION.



ROHN
 PRODUCTS, INC.

DATE: 8/12/99
 DRAWN BY: D.J.L.
 CHECKED BY: D.L.B.
 SCALE: 0.025" = 1" (SEE TITLE)
 SHEET NO.: 4372
 DRAWING NO.: 25G BRM
 PART NO.: C990126

DESCRIPTION
 BALLAST ROOF MOUNT FOR 25G

THIS DRAWING IS THE PROPERTY OF ROHN. IT IS NOT TO BE COPIED, TRACED, OR REPRODUCED IN ANY FORM WITHOUT OUR WRITTEN CONSENT. DIMENSIONS GIVEN IN INCHES. TOLERANCES ARE AS SHOWN UNLESS OTHERWISE SPECIFIED. DIMENSIONS GIVEN IN DECIMALS: ±0.003" ANGLES: ±2"