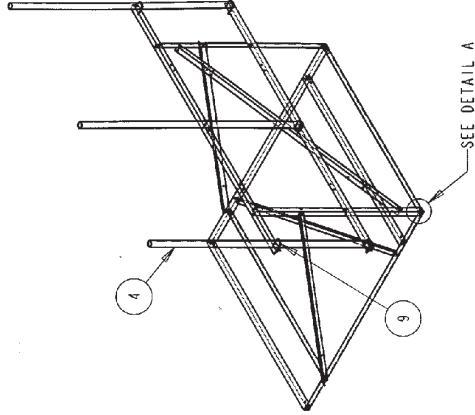
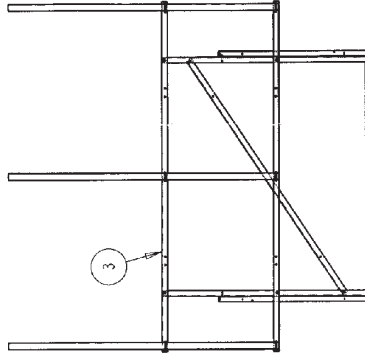
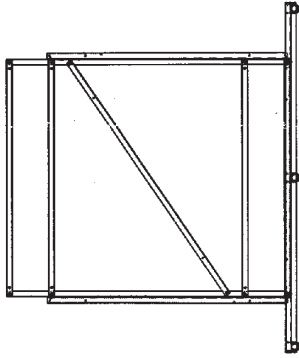


DETAIL A
SCALE 0.750



SEE DETAIL A

OPTIONAL ANTENNA MOUNTING PIPE KIT AVAILABLE.
PART NUMBER PAMPKT INCLUDES:
(1) FY272B PIPE 2" x .96" SCH 40 PG
(2) JR60A U-BOLT ASSEMBLY 3/8" x 2-1/2"

ITEM	QTY	PART NO	DESCRIPTION	DWG NO
1	2	FZ1789	ANGLE 3/16" x 2" x 73-13/16"	B990942
2	4	FZ1790	ANGLE 3/16" x 2" x 83-3/16"	B990943
3	2	FZ1792	ANGLE 3/16" x 2" x 124-3/8"	B990945
4	0	FY272B	PIPE 2" x .96" x SCH 40 PG	PURCHASED
5	24	230005	NUT 3/8 HVY HEX HDG	PURCHASED
6	24	250082	WASHER 3/8 SPLIT LOCK HDG	PURCHASED
7	24	2101216	BOLT 3/8 x 1 CARRIAGE HDG	PURCHASED
8	6	FZ1791	ANGLE 3/16" x 2" x 100"	B990944
9	0	JR60A	U-BOLT 3/8 x 2-1/2 HDG	PURCHASED

BILL OF MATERIALS

DESCRIPTION	PANEL ANTENNA MOUNTING FRAME
PART NUMBER	PAM10
THIS DRAWING IS THE PROPERTY OF ROHN. IT IS NOT TO BE COPIED, TRACED, OR REPRODUCED IN ANY FORM WITHOUT OUR WRITTEN CONSENT.	
ALL DIMENSIONS ARE GIVEN IN INCHES. TOLERANCES ARE AS GIVEN BELOW UNLESS NOTED OTHERWISE.	
DECIMAL: ±.003" ANGLES: ±2°	
AUTHOR/DESCRIPTION	RFK/PMP
DATE	03/08/00
CHECKED BY	XXX
SCALE	0.31
DWG FILE NO	EE4372
STATE	NY
CITY	AMT
ZIP	11701
WEIGHT	352 lb
PRICE	PAM10 B990946
REV	0

