



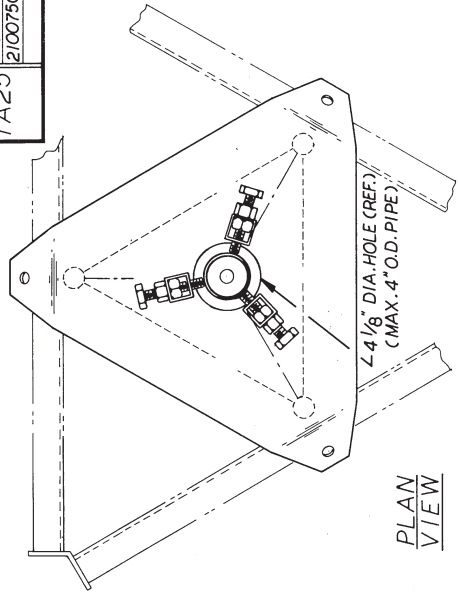
TORQUE ARM BILL OF MATERIALS

ASSY NO.	PART NO.	DESCRIPTION	DRAWING NO.
TA 25	KC90	TORQUE ARM	B760795
	2100036A	5/16 X 2-3/8" BOLT ASSEMBLY	C770404
	2100756A	1/4 X 2" BOLT ASSEMBLY	C770404

DISH MOUNT BILL OF MATERIALS

ASSY NO.	PART NO.	DESCRIPTION	DRAWING NO.
25TDM253KD	KH1617	1 MTG. PIPE 2" STD. X 7'-0" LG.	B770160
	KY1180	1 TOP MOUNTING PLATE	C850312
	KY1174	1 BOTTOM MOUNTING PLATE	C850313
	JR66A	3 U-BOLT ASSEMBLY	B651028
	210192G	6 5/8 X 3 1/2" BOLT (FULLY THREADED)	C770404
	2200376A	3 5/16 X 1-1/2" BOLT ASSEMBLY	C770404
	230018	12 5/8" HVY. HEX. NUT	N/A
	2200296A	3 1/4 X 1-1/2" BOLT ASSEMBLY	C770404
	KH2582	1 MTG. PIPE 2-1/2" STD. X 7'-0" LG.	B770160
	KY1180	1 TOP MOUNTING PLATE	C850312
	KY1174	1 BOTTOM MOUNTING PLATE	C850313
	JR66A	3 U-BOLT ASSEMBLY	B651028
	210192G	6 5/8 X 3 1/2" BOLT (FULLY THREADED)	C770404
2200376A	3 5/16 X 1-1/2" BOLT ASSEMBLY	C770404	
230018	12 5/8" HVY. HEX. NUT	N/A	
2200296A	3 1/4 X 1-1/2" BOLT ASSEMBLY	C770404	

DESIGN NOTE
THESE TOP DISH MOUNT ASSEMBLIES ARE DESIGNED TO BE MOUNTED ON 25G SINGLE BRACED SECTIONS ONLY.

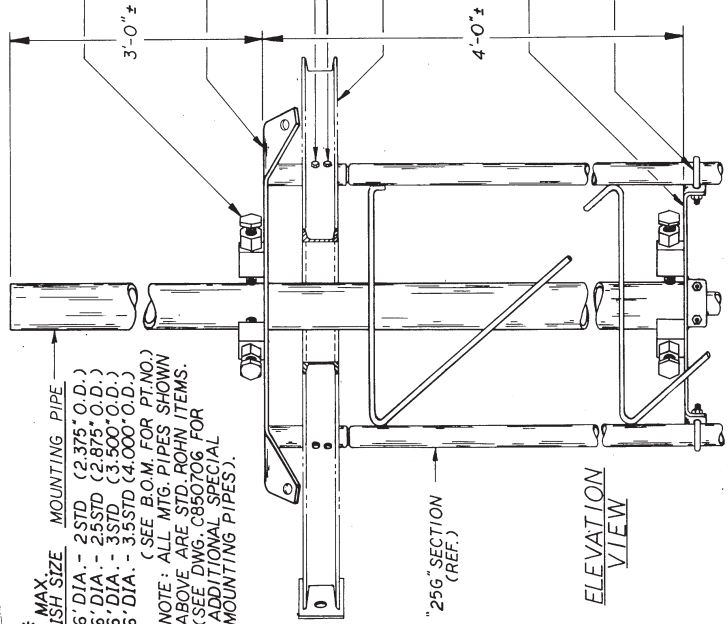


GENERAL NOTES

- THE TOP DISH MOUNTS AND THE TORQUE ARMS ARE SEPARATE UNITS, AND MAY BE USED IN CONJUNCTION WITH EACH OTHER, AS SHOWN OR AS SEPARATE UNITS. THE TORQUE ARM MAY BE INSTALLED AT THE LEVEL OF ANY TOWER JOINT WHEN THE TORQUE ARM IS INSTALLED AS SHOWN. THE GUYS ARE TO BE ATTACHED TO THE TORQUE ARM ONLY. ALL FABRICATION DRAWINGS REFERENCED, ARE FOR SHOP USE ONLY.
- PAL NUTS ARE PROVIDED WITH ALL U-BOLT AND BOLT ASSEMBLIES.

*** DESIGN NOTE**
THIS ANTENNA MOUNT IS DESIGNED IN ACCORDANCE WITH A.N.S.I. A58.1, "MIN. DESIGN LOADS FOR BUILDING & OTHER STRUCTURES," EXPOSURE B, TO MPH, FOR A MAX. 6" DIA. SOLID, GRID, OR MESH DISH (MAX. PROJ. AREA = 34 SQ. FT.)

*** MAX. DISH SIZE**
6" DIA. - 2 STD. (2.375" O.D.)
6" DIA. - 25 STD. (2.875" O.D.)
6" DIA. - 35 STD. (3.500" O.D.)
6" DIA. - 35 STD. (4.000" O.D.)
(SEE B.O.M. FOR PT.NO.)
NOTE: ALL MTG. PIPES SHOWN ABOVE ARE STD. ROHN ITEMS. (SEE DWG. C850706 FOR ADDITIONAL SPECIAL MOUNTING PIPES).



*** LONGER BOLTS ARE SUPPLIED WITH TORQUE ARM.**

REV.	REVISION DESCRIPTION	DATE	BY
1	RI ADDED MTG. PIPE NOTE	4-30-85	GPW

UNR-Rohn Division of UNR, Inc.	
MOUNT DISH ASSY. TOP 25G KD	
TOP DISH MOUNT & TORQUE ARM ASSY FOR TOWER MODEL NO. 25G	
Scale	None
Drawn by	GPW 01-14-85
Checked by	WDC 1-18-85
Approved by	Engineering
Approved by	Production
Approved by	Sales
Date	3-13-85
Drawing Number	C850314 RI