



### (DMSSTVH) BILL OF MATERIALS

QTY.	PART NO.	DESCRIPTION	DWG. NO.
1	TMT4H05	TUBE, 4" SQ. X .25" WALL X 5'-0" LG.	N/A
2	VY2240	ANGLE TUBE MOUNT	B801450
2	VY2241	ANGLE TUBE MOUNT	B801450
3	FY37	WEDGE CLAMP	D850019
4	FY15	SADDLE CLAMP	D850019
5	VY3731	CONNECTION PLATE	B851082
6	JR812A	5Q. U-BOLT ASSEMBLY	B801460
7	210213GA	1/2 X 6" BOLT ASSEMBLY	C770904
8			

### MOUNTING PIPES

PART NO.	DESCRIPTION
KH290	3 1/2" STD X 10'-0"
KH291	4" STD. X 10'-0"
KH223	4 EXH 10'-0"

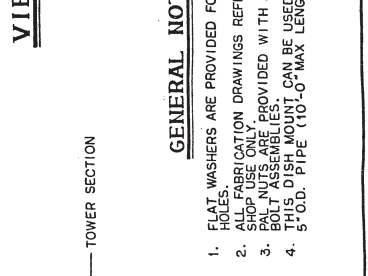
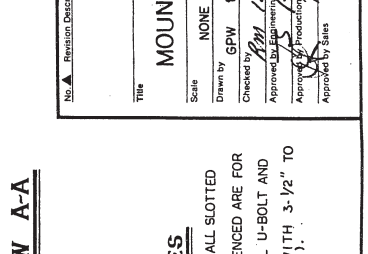
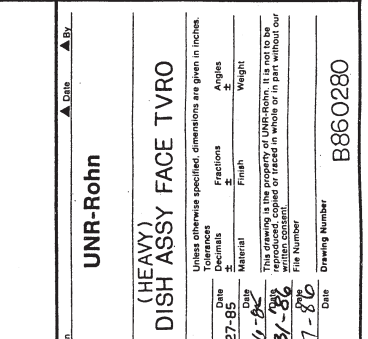
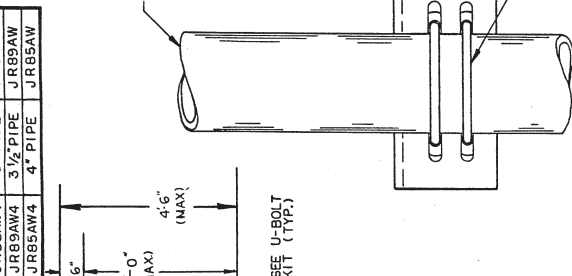
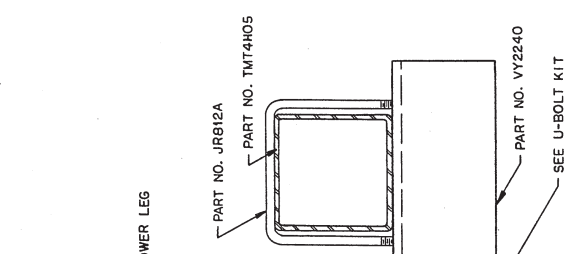
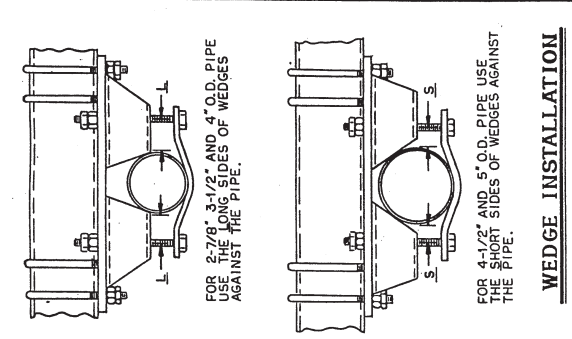
REFERENCE DRAWING: B770160 AND B790909

### U-BOLT KITS

U-BOLT KIT PART NO.	TOWER LEG SIZE	U-BOLT P/N (4-RECD)
JR83AW4	2" PIPE	JR83AW
JR84AW4	2 1/2" PIPE	JR84AW
JR85AW4	3" PIPE	JR85AW
JR86AW4	3 1/2" PIPE	JR86AW
JR87AW4	4" PIPE	JR87AW

**ORDERING DATA** (FOR MOUNTS SOLD AS A SEPARATE ITEM ONLY)

1 - (DMSSTVH) MOUNT ASSEMBLY  
 2 - MOUNTING PIPE (SEE CHART)  
 3 - U-BOLT KIT (BOT. TUBE) (SEE CHART)



**GENERAL NOTES**

- FLAT WASHERS ARE PROVIDED FOR ALL SLOTTED HOLES.
- ALL FABRICATION DRAWINGS REFERENCED ARE FOR BOLT ASSEMBLIES.
- THIS DISH MOUNT CAN BE USED WITH 3-1/2" TO 5" O.D. PIPE (10'-0" MAX LENGTH).

**DESIGN NOTE**

THIS ANTENNA MOUNT HAS BEEN DESIGNED FOR THE WIND LOADING SPECIFIED IN ANSI, ASS.1 MIN. DESIGN LOADS FOR BUILDINGS AND OTHER STRUCTURES, EXPOSURE B, 70 MPH BASIC WIND SPEED, 10 IMPORTANCE FACTOR, 86' HEIGHT, 135 PSF \* FOR A MAX. 12' DISH (MAX. EFFECTIVE PROJ. AREA = 196 SQ. FT.)

### UNR-Rohn

**MOUNT DISH ASSY FACE TVRO (HEAVY)**

Scale: NONE  
 Drawn by: GPW  
 Date: 11-27-85  
 Checked by: JPM  
 Date: 12-0-85  
 Approved by: [Signature]  
 Date: 1-31-86  
 Approved by: [Signature]  
 Date: 7-7-86

This drawing is the property of UNR-Rohn. It is not to be reproduced, copied or traced in whole or in part without our permission.  
 File Number: B860280  
 Drawing Number: B860280