



**HOUSE BRACKET ASSEMBLY - HBUPMTVRO**

ITEM QUAN.	PART NO.	DESCRIPTION	DRAWING NO.
1	KY1150	DIAGONAL SUPPORT ANGLE	BR50292
2	KY1152	LEFT MOUNTING ANGLE	CR50293
3	KY1153	RIGHT MOUNTING ANGLE	BR50294
4	KY1154	HOUSE ATTACHMENT ANGLE	CR50295
5	1	FR15	FR15
6	1	FR15	FR15
7	2	Z10018A	Z10018A
8	2	Z10018A	Z10018A
9	2	Z10018A	Z10018A
10	2	Z10018A	Z10018A
11	2	Z10018A	Z10018A
12	2	FR37	FR37

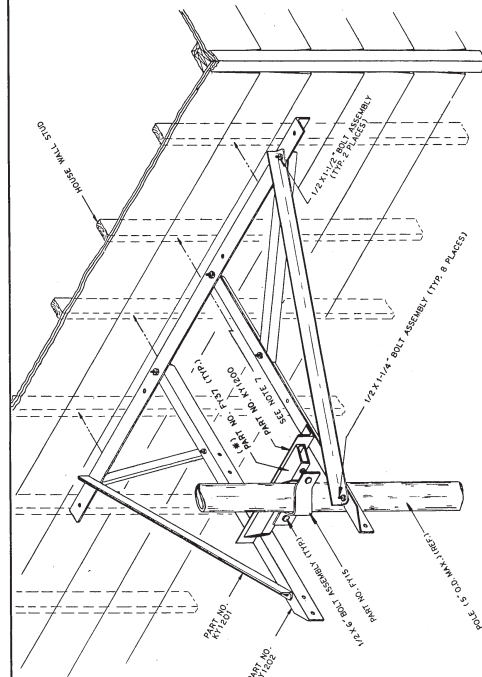
**ROOF MOUNTING KIT - HBRMKTVRO**

ITEM QUAN.	PART NO.	DESCRIPTION	DRAWING NO.
1	8	KY1202	BR50403
2	8	Z100245A	C770404
3	1	FR15	FR15
4	1	FR15	FR15
5	1	FR15	FR15
6	1	FR15	FR15

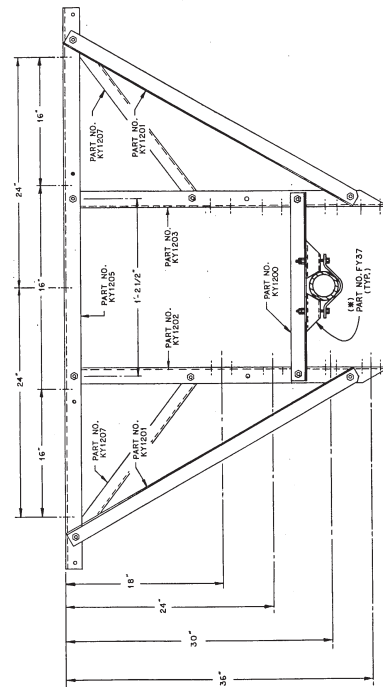
**HOUSE BRACKET POLE MOUNTING KIT - HBPMTVRO**

ITEM QUAN.	PART NO.	DESCRIPTION	DRAWING NO.
1	KY1200	POLE MOUNTING ANGLE	BR50391
2	1	FR15	FR15
3	2	FR37	FR37
4	2	Z10018A	Z10018A
5	2	Z10018A	Z10018A

**ROOF MOUNTING KIT DETAILS**  
(LOWER ASSEMBLY PART NO. HBUPMTVRO & HBRMKTVRO)

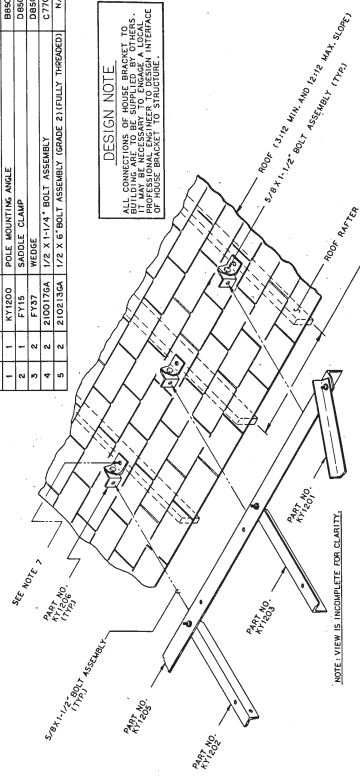


**HOUSE BRACKET DETAILS**  
(LOWER ASSEMBLY PART NO. HBUPMTVRO)



(\*) FOR 2-7/8", 3-1/2" AND 4" O.D. PIPE - USE THE LONG SIDES OF THE WEDGES AGAINST THE PIPE. - USE THE SHORT SIDES OF THE WEDGES AGAINST THE PIPE.

**PLAN VIEW**



**ROOF MOUNTING KIT DETAILS**  
(LOWER ASSEMBLY PART NO. HBUPMTVRO & HBRMKTVRO)

**DESIGN NOTE**  
ALL CONNECTIONS OF HOUSE BRACKET TO BUILDING WALL TO BE SUPPLIED BY OTHERS. PROFESSIONAL ENGINEER TO DESIGN INTERFACE OF HOUSE BRACKET TO STRUCTURE.

**NOTE** ASSEMBLIES SHOWN ON THIS DRAWING DO NOT INCLUDE POLE, WHICH MUST BE ORDERED SEPARATELY.

**GENERAL NOTES**

1. KIT LIMITED WITHIN A LOCAL PROFESSIONAL ENGINEERING JURISDICTION. LOCAL PROFESSIONAL ENGINEER ANALYSIS FOR LOADS IS REQUIRED TO WITHSTAND ALL LOADS IMPOSED BY HIS MOUNT AND ANTENNA.
2. ANY ANTENNA MUST BE INSTALLED PRIOR TO INSTALLATION OF THE KIT.
3. ANY ANTENNA INSTALLATION MUST BE APPROVED BY THE LOCAL PROFESSIONAL ENGINEER PRIOR TO INSTALLATION OF THE KIT.
4. ALL APPLICABLE CODES FOR INSTALLATION MUST BE OBSERVED.
5. ALL APPLICABLE CODES FOR INSTALLATION MUST BE OBSERVED.
6. ALL APPLICABLE CODES FOR INSTALLATION MUST BE OBSERVED.
7. ALL APPLICABLE CODES FOR INSTALLATION MUST BE OBSERVED.
8. ALL APPLICABLE CODES FOR INSTALLATION MUST BE OBSERVED.
9. ALL APPLICABLE CODES FOR INSTALLATION MUST BE OBSERVED.

**UNR-Rohn**  
Division of UNR, Inc.

**POLE TYPE**  
TVRO HOUSE BRACKET ASSEMBLY

Scale: NONE  
Units: inches (metric dimensions are given in inches)

Drawn by: GPR  
Checked by: GPR  
Approved by: GPR  
Date: 4-18-85

Part Number: D850226 R3