



# ONE LEGGED MOUNT ASSEMBLY

## NOTES:

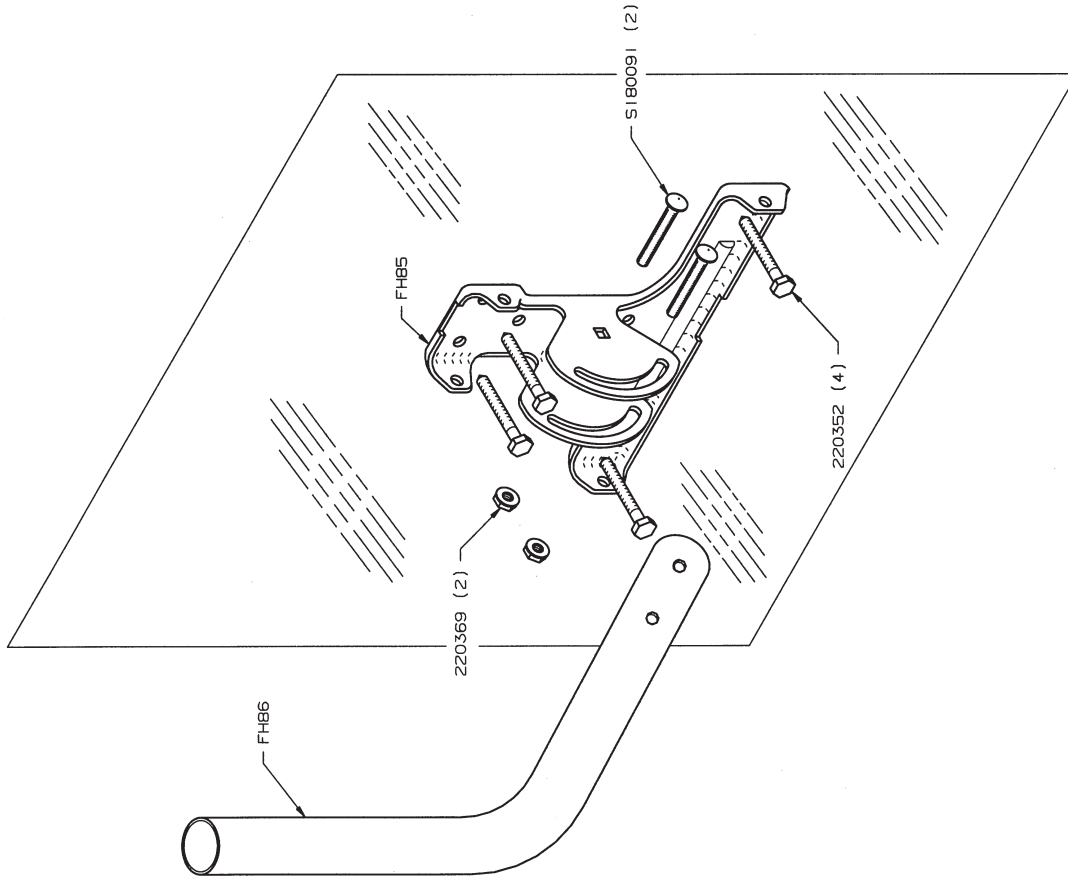
- 1.) ONE LEGGED MOUNT CAN BE INSTALLED ON A FLAT OR PITCHED ROOF, WOOD OR MASONRY WALL OR CHIMNEY (GABLE END). THE OPTIONAL ILGCM CHIMNEY MOUNT AND THE ONE LEGGED MOUNT CAN BE INSTALLED ON A MASONRY CHIMNEY.
- 2.) ALL ANTENNA INSTALLATIONS SHOULD BE GROUNDED BY THE INSTALLER TO MEET ALL APPLICABLE CODES.
- 3.) TO INSURE SAFETY, NO INSTALLATION, ROOF OR WALL, SHOULD BE ATTEMPTED WITHOUT A LOCAL PROFESSIONAL STRUCTURAL ANALYSIS.
- 4.) INSPECT MOUNT AND ANTENNA INSTALLATION EVERY 6 MONTHS (OR AFTER EVERY STORM) FOR TIGHTNESS.
- 5.) IT IS THE INSTALLER'S RESPONSIBILITY TO VERIFY THAT HIS INSTALLATION IS ADEQUATE TO WITHSTAND ANTENNA LOADS IMPOSED BY THIS MOUNT AND ANTENNA.
- 6.) LOCAL ZONING AND/OR BUILDING CODES AND INSURANCE COMPANIES MAY REQUIRE ARCHITECT OR STRUCTURAL ENGINEER APPROVAL PRIOR TO INSTALLATION.
- 7.} MOUNTING TUBE IS 1-1/4" O.D.
- 8.} ANTENNA NOT TO EXCEED 2 SQUARE FEET OF EFFECTIVE PROJECTED AREA.

## ILG CONTAINS THE FOLLOWING:

FH85	FORMED BRACKET	{	1
FH86	1-1/4" O.D. TUBE	{	1
S180091	1/4" X 1-3/4" CARRIAGE BOLT	{	2
220369	1/4" FLANGE NUT	{	2
220352	1/4" X 2" LAG SCREW	{	4

## ILGCM CONTAINS THE FOLLOWING:

FH87	CHIMNEY MOUNTING STRAP	{	2
FH87	HARDWARE BAG FOR CHIMNEY MOUNT	{	1



# ROHN.

Title: ONE LEGGED MOUNT ASSEMBLY

Scale: NONE Unless otherwise specified, dimensions are given in inches. Tolerances are as noted.

Drawn by: TLO Date: 6-6-86

Checked by: Date:

Approved by Engineering: Date:

Approved by Product: Date:

Approved by Sales: Date:

File Number: EF419610

Drawing Number: C960119

Drawing Type: ELEV