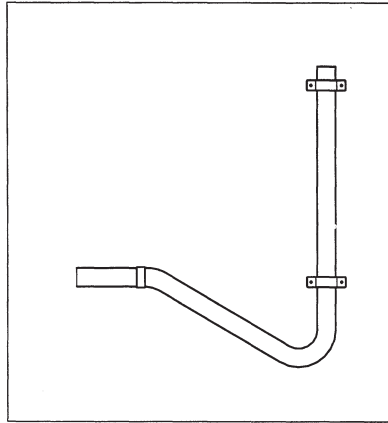




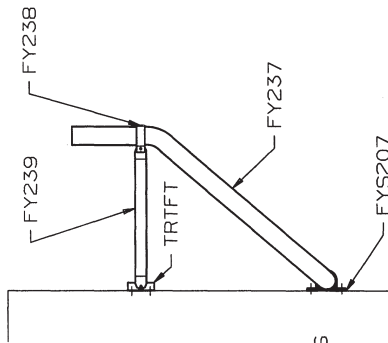
SNAKE MOUNT™ ASSEMBLY SM125

WALL MOUNT

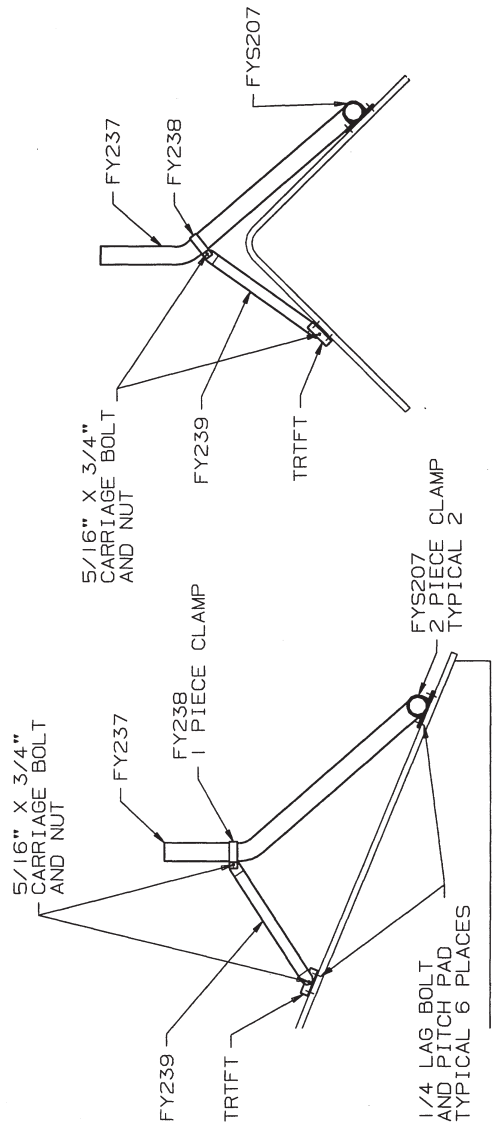


FRONT VIEW

- NOTES:
- 1.) SNAKE MOUNT CAN BE USED ON A FLAT, SLOPED, OR PEAKED ROOF.
 - 2.) SNAKE MOUNT CAN BE USED ON A WOOD OR MASONRY WALL.
 - 3.) TWO KNEE BRACES ARE INCLUDED. APPLICATION VARIES WITH PITCH OF ROOF.
 - 4.) ALL ANTENNA INSTALLATIONS SHOULD BE GROUNDED BY THE INSTALLER TO MEET ALL APPLICABLE CODES.
 - 5.) TO INSURE SAFETY, NO INSTALLATION, ROOF OR WALL, SHOULD BE ATTEMPTED WITHOUT A LOCAL PROFESSIONAL STRUCTURAL ANALYSIS.
 - 6.) INSPECT MOUNT AND ANTENNA INSTALLATION EVERY 6 MONTHS (OR AFTER EVERY STORM) FOR TIGHTNESS.
 - 7.) IT IS THE INSTALLER'S RESPONSIBILITY TO VERIFY THAT HIS INSTALLATION IS ADEQUATE TO WITHSTAND ALL LOADS IMPOSED BY THIS MOUNT AND ANTENNA.
 - 8.) LOCAL ZONING AND/OR BUILDING CODES AND INSURANCE COMPANIES MAY REQUIRE ARCHITECT OR STRUCTURAL ENGINEER APPROVAL PRIOR TO INSTALLATION.
 - 9.) SNAKE MOUNT IS A REGISTERED TRADE MARK.
 - 10.) PATENT APPLIED FOR.



END VIEW



END VIEW

END VIEW

ROHN.

Title
SNAKE MOUNT ASSEMBLY
SM125

Scale
NONE

Drawn by
TLO

Checked by

Unless otherwise specified, dimensions are given in inches. Tolerances are as noted.

Material

Finish

Weight

This drawing is the property of ROHN. It is not to be reproduced, copied or traced in part without our written consent.

File Number EF 4 10BTO

Approved by Production Date
8/19/96

Approved by Sales Date

Drawing Number
C960129

Drawing Type: ASSEMBLY