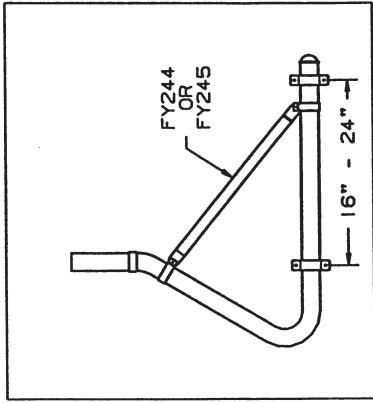


# SNAKE MOUNT™ ASSEMBLY SM225

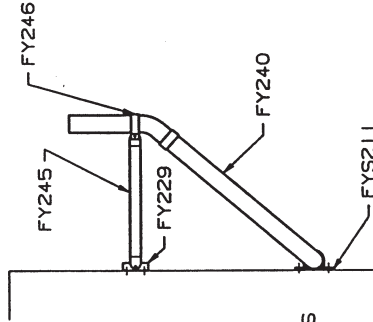
- NOTES:
- 1.) SNAKE MOUNT CAN BE USED ON A FLAT, SLOPED, OR PEAKED ROOF.
  - 2.) SNAKE MOUNT CAN BE USED ON A WOOD, OR MASONRY WALL.
  - 3.) TWO KNEE BRACES ARE INCLUDED. APPLICATION VARIES WITH PITCH OF ROOF.
  - 4.) ALL ANTENNA INSTALLATIONS SHOULD BE GROUNDED BY THE INSTALLER TO MEET ALL APPLICABLE CODES.
  - 5.) TO INSURE SAFETY, NO INSTALLATION, ROOF OR WALL, SHOULD BE ATTEMPTED WITHOUT A LOCAL PROFESSIONAL STRUCTURAL ANALYSIS.
  - 6.) INSPECT MOUNT AND ANTENNA INSTALLATION EVERY 6 MONTHS (OR AFTER EVERY STORM) FOR TIGHTNESS.
  - 7.) IT IS THE INSTALLER'S RESPONSIBILITY TO VERIFY THAT HIS INSTALLATION IS ADEQUATE TO WITHSTAND ALL LOADS IMPOSED BY THIS MOUNT AND ANTENNA.
  - 8.) LOCAL ZONING AND/OR BUILDING CODES AND INSURANCE COMPANIES MAY REQUIRE ARCHITECT OR STRUCTURAL ENGINEER APPROVAL PRIOR TO INSTALLATION.
  - 9.) SNAKE MOUNT IS A REGISTERED TRADE MARK.
  - 10.) PATENT APPLIED FOR.

## WALL MOUNT

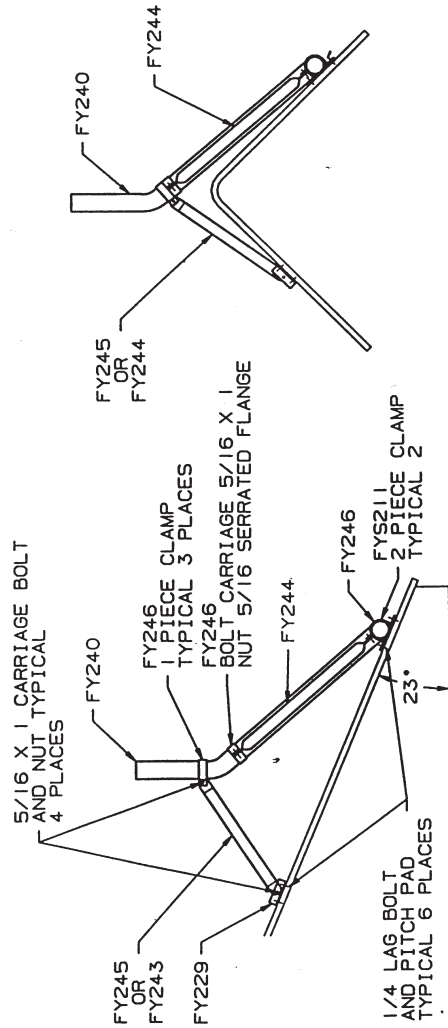


FRONT VIEW

BRACKETS AND CLAMPS ADJUST TO FIT MOST ANY RAFTER OR WALL STUD SPACING REQUIREMENTS.



END VIEW



END VIEW

END VIEW

# ROHN.

TITLE  
SNAKE MOUNT ASSEMBLY  
SM225

Scale	Unless otherwise specified, dimensions are given in inches. Tolerances are as noted.		
Drawn by	Date	Material	Weight
MS	10/27/06		
Checked by	Date	Material	Weight
MO	01/03/07		
Approved by Engineering	Date	Material	Weight
MO	01/03/07		
Approved by Fabrication	Date	Material	Weight
MO	01/03/07		
Part Number	EP-423610		
Drawing Number	C960313		
Drawn by	MS		