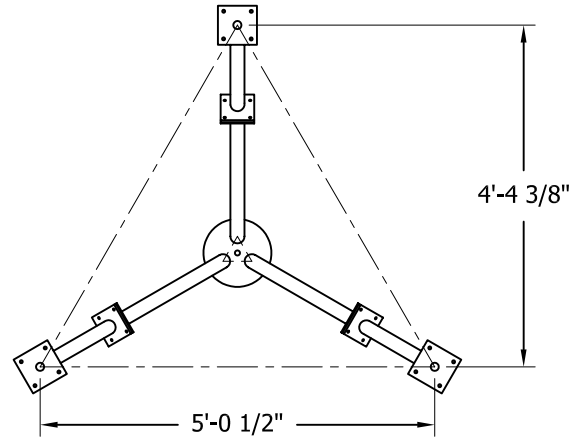
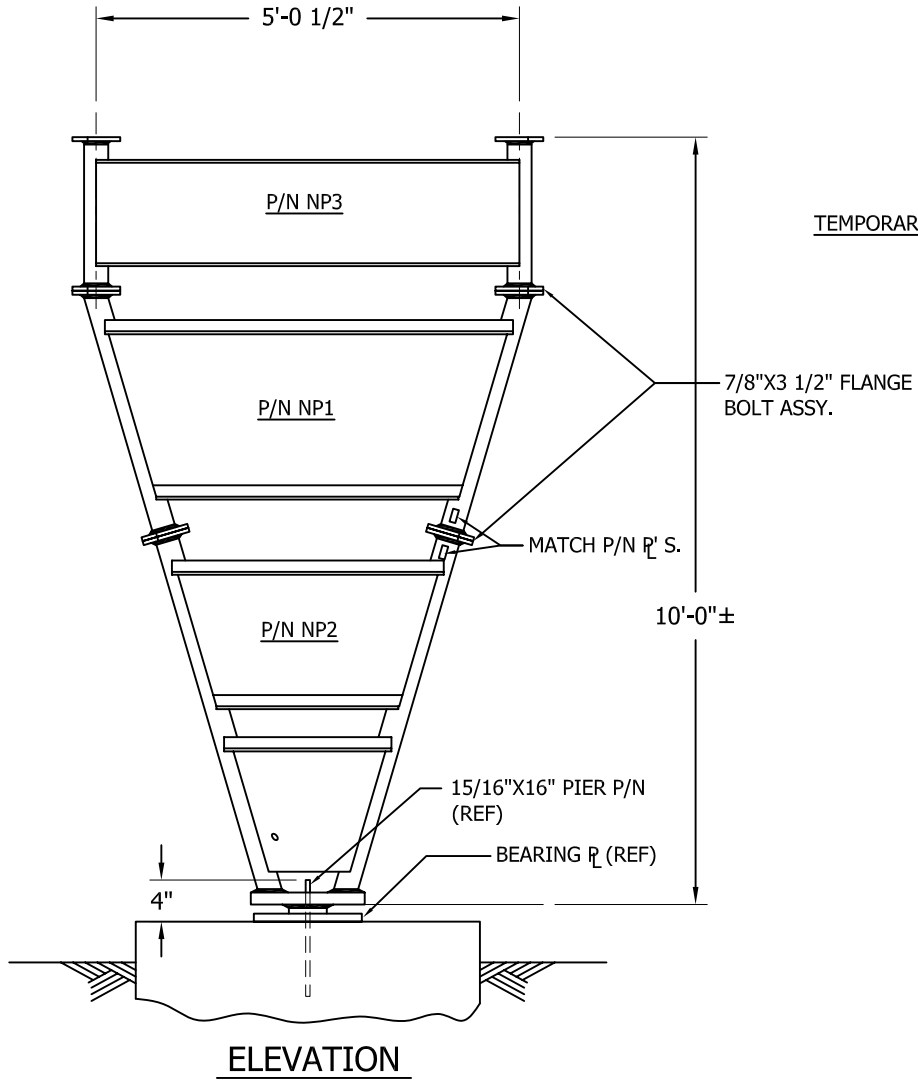


BILL OF MATERIAL				
ITEM	QUAN.	PART NO.	DESCRIPTION	DWG NO.
1	1	NP1	UPPER BASE ASSY.	C721216
2	1	NP2	LOWER BASE ASSY.	C721216
3	1	NP3	BASE EXTENSION	C730308
4	24	210063GA	7/8 x 3 1/2 BOLT ASSY	N/A

NOTE: MUST BE ASSEMBLED W/
IDENTICAL MATCH P/N'S
ON THE SAME LEG.

TEMPORARY STEEL GUYING IS NECESSARY DURING INSTALLATION OR DISMANTLING



PLAN

ASSY P/N TB90A

FILE NO. Standard-90

REVISIONS				
REV.	DESCRIPTION	DWN	CHK	APP
7	REDRAWN INTO AUTOCAD FORMAT	KB3	JDA	HA
DATE: Jul/30/2007				

DWG REFERENCE



6718 WEST PLANK ROAD
PEORIA, IL 61604
TOLL FREE 800-727-ROHN

THIS DRAWING IS THE PROPERTY OF ROHN. IT IS NOT TO BE REPRODUCED, COPIED OR TRACED IN WHOLE OR IN PART WITHOUT OUR WRITTEN CONSENT.

BASE SECTION
TAPERED MODEL 90 SERIES TOWER

DWN: WDU	CHK'D: TWS	DATE: Mar/14/1973
-------------	---------------	----------------------

ENGR: CW	
-------------	--

DRAWING NO: C730307	REV: 7
------------------------	-----------

Sep/22/2007 1:07:37 PM

JReaction