

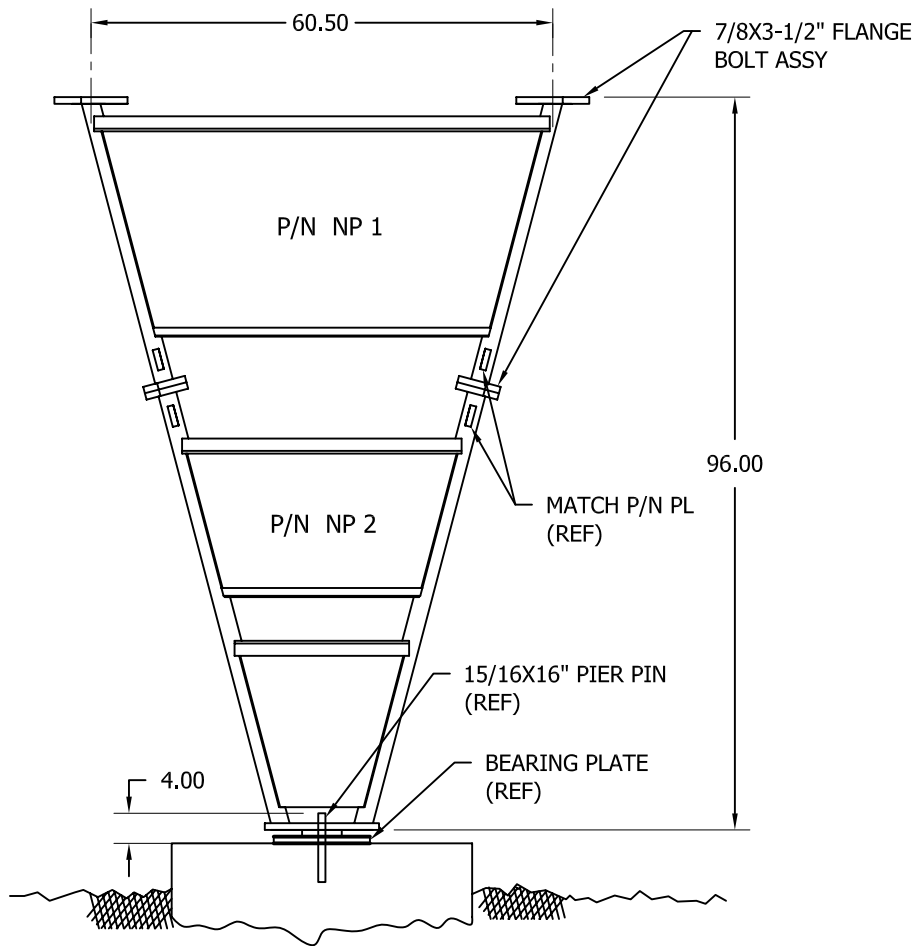
FILE NO. Standard-90

REVISIONS				
REV.	DESCRIPTION	DWN	CHK	APP
7	REDRAWN INTO AUTOCAD FORMAT	JDA	MJF	HA
DATE: Feb/01/2007				

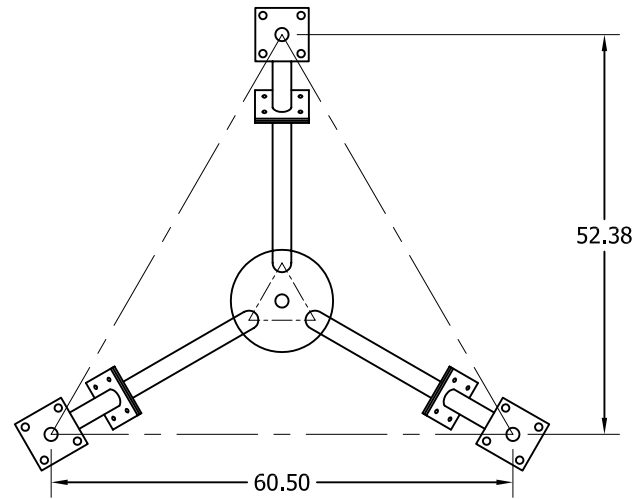
ASSY P/N: TB90				
BILL OF MATERIAL				
ITEM	QUAN.	PART NO.	DESCRIPTION	DWG. NO.
1	1	NP 1	UPPER BASE ASSY	C721216
2	1	NP 2	LOWER BASE ASSY	C721216
3	12	210063GA	7/8X 3 1/2 BOLT ASSY	N/A

NOTE : MUST BE ASSEMBLED W/ IDENTICAL MATCH P/N' S ON THE SAME LEG

TEMPORARY STEEL GUYING IS NECESSARY DURING INSTALLATION OR DISMANTLING



ELEVATION



PLAN

DWG REFERENCE



6718 WEST PLANK ROAD
PEORIA, IL 61604
TOLL FREE 800-727-ROHN

THIS DRAWING IS THE PROPERTY OF ROHN. IT IS NOT TO BE REPRODUCED, COPIED OR TRACED IN WHOLE OR IN PART WITHOUT OUR WRITTEN CONSENT.

SECTION ASSEMBLY
TAPERED BASE FOR MODEL 90 SERIES

DWN: JLR CHK'D: WDU DATE: Dec/12/1972

ENG'R: CW

DRAWING NO: C721215 REV: 7

Feb/02/2007 3:56:45 PM

JReaction