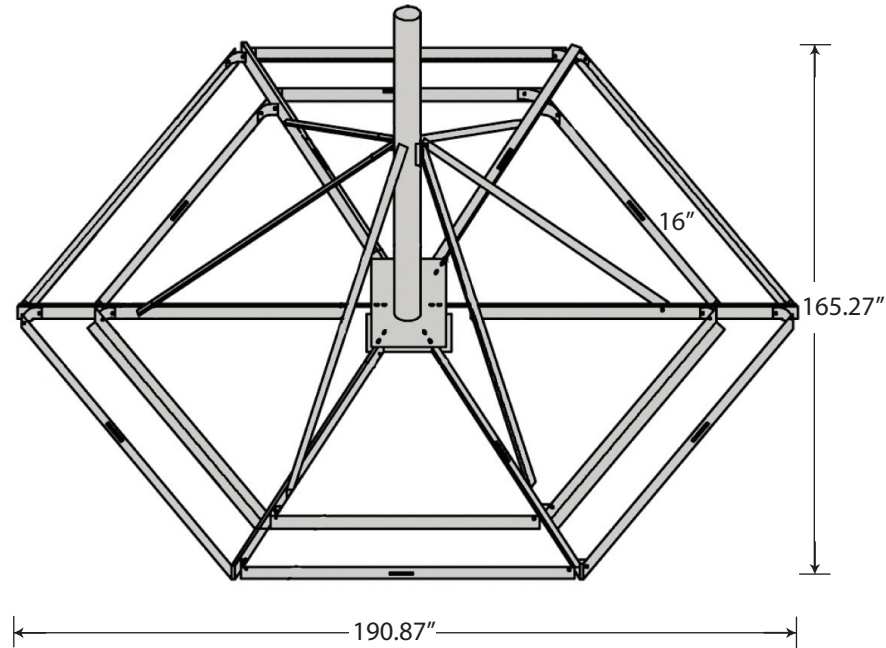


## AAGM

The AAGM is a non-penetrating ballast roof mount. The mount is capable of supporting various communication loads, including dishes with diameters up to 10 feet. Mast sizes vary from 3" to 6". The base is designed for standard concrete blocks to be placed in the trays as ballast. The mount is hot-dip galvanized after fabrication and easy to assemble.



### MAST SPECIFICATIONS

Mount Part No.	Mast Part No.	Description
AAGM35	FYS75	Pipe 3.00 x SCH40 x 50.00 BK HDG
AAGM40	FYS76	Pipe 3.50 x SCH40 x 50.00 BK HDG
AAGM45	FYS77	Pipe 4.00 x SCH40 x 50.00 BK HDG
AAGM55	FYS78	Pipe 5.00x SCH40 x 50.00 BK HDG
AAGM6560	FYS96	Pipe 6.00 x SCH40 x 56.00 BK HDG

## AAGM ALLOWABLE ANTENNA AREAS

[APPLIES TO ALL AAGM MODELS]

Antenna Diameter (FT)	Ballast (LBS)	Zero Velocity Load (PSF)	Max. V (MPH)	Wind Speeds Resulting in Sliding Coefficient of Friction = .50		
				EL=0°	EL=20°	EL=40°
4 (1.2M)	1000	6	135	91	93	101
	1500	9	164	111	114	123
	2000	12	187	128	132	142
	2500	15	207	143	147	159
	3000	18	225	157	161	174
	3500	21	240	170	174	188
	2000	24	250	181	186	201
	5000	30	250	203	208	225
	6000	36	250	222	228	246
6 (1.8M)	1000	6	90	60	62	67
	1500	9	109	74	76	82
	2000	12	125	85	88	95
	2500	15	138	96	98	106
	3000	18	150	105	108	116
	3500	21	160	113	116	125
	2000	24	165	121	124	134
	5000	30	165	135	139	150
	6000	36	165	148	152	164
8 (2.4M)	1000	6	68	45	47	50
	1500	9	82	56	57	62
	2000	12	94	64	66	71
	2500	15	104	72	74	79
	3000	18	112	79	81	87
	3500	21	120	85	87	94
	2000	24	125	91	93	101
	5000	30	125	101	104	112
	6000	36	125	111	114	123
10 (3.0M)	1000	6	46	31	33	40
	1500	9	56	38	40	49
	2000	12	64	44	46	57
	2500	15	71	49	52	64
	3000	18	77	54	57	70
	3500	21	82	58	61	75
	2000	24	85	62	65	80
	5000	30	85	69	73	85
	6000	36	85	76	80	85