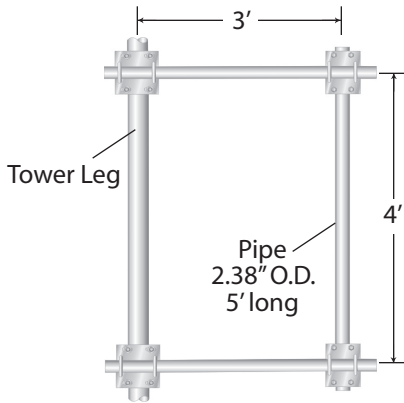


SIDE ARMS

3' SIDE ARM, STRAIGHT/TAPERED TOWER SECTIONS



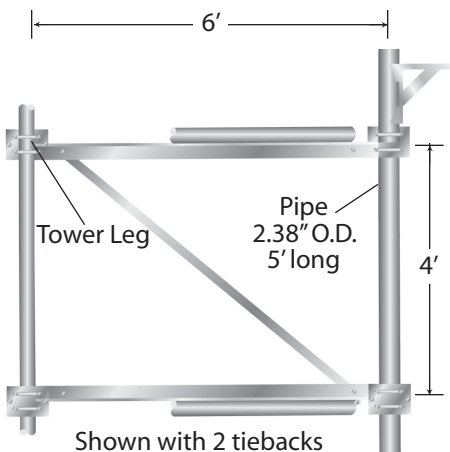
Assembly Part No.	Pipe Leg O.D.
SA324A	3' Side Arm for 2.375" - 4.5" Legs
SA356A	3' Side Arm for 5.56" - 6.63" Legs
SA38A	3' Side Arm for 8.75" Legs
SA310A	3' Side Arm for 10.75" Legs
SA312A	3' Side Arm for 12.75" Legs

3' SIDE ARM, SELF-SUPPORTING TOWERS

Assembly Part No.	Pipe Leg O.D.
SA32PL	3' Side Arm for 2" Pipe Legs
SA325PL	3' Side Arm for 2 1/2" Pipe Legs
SA33PL	3' Side Arm for 3" Pipe Legs
SA335PL	3' Side Arm for 3 1/2" Pipe Legs
SA34PL	3' Side Arm for 4" Pipe Legs
SA35PL	3' Side Arm for 5" Pipe Legs
SA36PL	3' Side Arm for 6" Pipe Legs
SA38PL	3' Side Arm for 8" Pipe Legs
SA310PL	3' Side Arm for 10" Pipe Legs
SA312PL	3' Side Arm for 12" Pipe Legs

NOTES:

1. Check tower assembly drawing for leg size to determine assembly number required.
2. Washers are provided for all slotted holes.
3. This side arm designed for an allowable antenna loading of 300 lbs. thrust.
4. Side arm mounting plates must be located as close as possible to leg-brace intersection.



6' SIDE ARM, STRAIGHT/TAPERED TOWER SECTIONS

Assembly Part No.	Pipe Leg O.D.
SA624A	6' Side Arm for 2.375" - 4.5" Legs
SA656A	6' Side Arm for 5.56" - 6.63" Legs
SA68A	6' Side Arm for 8.75" Legs
SA610A	6' Side Arm for 10.75" Legs
SA612A	6' Side Arm for 12.75" Legs

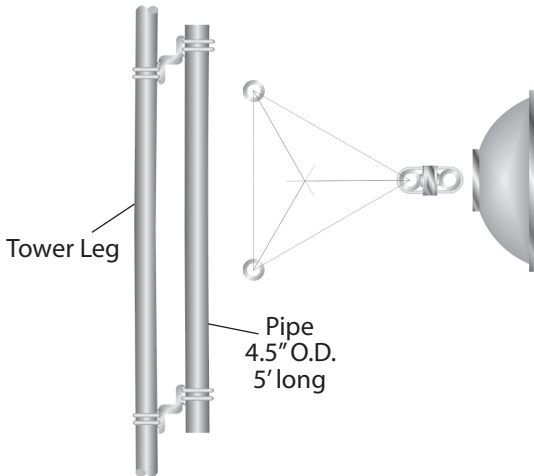
Notes:

1. Pipe size is nominal diameter.
2. To order tiebacks, include (1TB) for one or (2TB) for two after part number.

DISH & ANTENNA MOUNTS

LEG DISH MOUNTS - STRAIGHT LEG

Assembly No.	Description
S20UM	Straight Leg Dish Mount, 2" std. or 2X-STR Legs
S25UM	Straight Leg Dish Mount, 2.5" std. or 2.5X-STR Legs
S30UM	Straight Leg Dish Mount, 3" std. or 3X-STR Legs
S35UM	Straight Leg Dish Mount, 3.5" std. or 3.5X-STR Legs
S40UM	Straight Leg Dish Mount, 4" std. or 4X-STR Legs
S50UM	Straight Leg Dish Mount, 5" std. or 5X-STR Legs
S60UM	Straight Leg Dish Mount, 6" std. or 6X-STR Legs
S24HUM	Straight Leg Dish Mount, 2.375" - 4.5" O.D. Legs
S56HUM	Straight Leg Dish Mount, 5.5" - 6.625" O.D. Legs

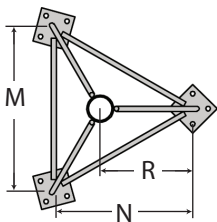


NOTE:

1. Flat washers are provided for all slotted holes.
2. Mounting brackets must be mounted as close to brace clip as possible.
3. To order tiebacks, include (1TB) for one or (2TB) for two after part number.

LEG DISH MOUNTS - TAPERED LEG

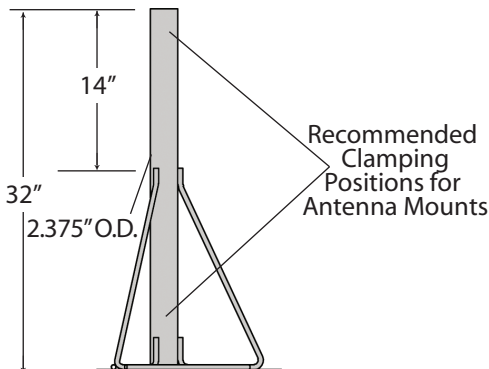
Assembly No.	Description
T20UM	Tapered Leg Dish Mount, 2" std. or 2X-STR Legs
T25UM	Tapered Leg Dish Mount, 2.5" std. or 2.5X-STR Legs
T30UM	Tapered Leg Dish Mount, 3" std. or 3X-STR Legs
T35UM	Tapered Leg Dish Mount, 3.5" std. or 3.5X-STR Legs
T40UM	Tapered Leg Dish Mount, 4" std. or 4X-STR Legs
T50UM	Tapered Leg Dish Mount, 5" std. or 5X-STR Legs
T60UM	Tapered Leg Dish Mount, 6" std. or 6X-STR Legs
T24HUM	Tapered Leg Dish Mount, 2.375" - 4.5" O.D. Legs
T56HUM	Tapered Leg Dish Mount, 5.5" - 6.625" O.D. Legs



ANTENNA MOUNT - TAPERED TOP ASSEMBLY FOR SELF-SUPPORTING TOWERS

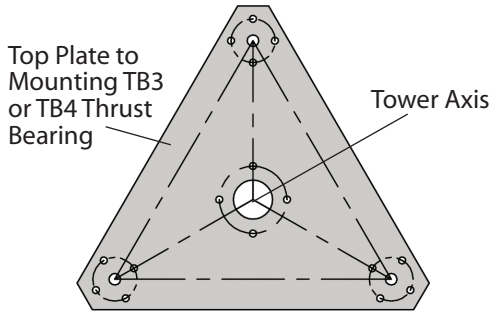
Assy.P/N	Tower Section No.	M	N	R
1TT	1W, 1WB, 2W	1' - 2"	1' - 0 1/8"	0' - 8 1/16"
3TT	2WST, 2WB, 3WN	1' - 6"	1' - 3 9/16"	0' - 10 3/8"
4TTN	3WNST, 3WNB, 4N	1' - 10"	1' - 7 1/16"	1' - 0 11/16"
5TTN	4NST, 4NA, 4WB, 4NC, 5N	2' - 2"	1' - 10 1/2"	1' - 3"
6TT	5NST, 5NA, 5NB, 5NC, 6C	2' - 6"	2' - 2"	1' - 5 5/16"

NOTE: Design based on thrust of 500# at clamping positions.

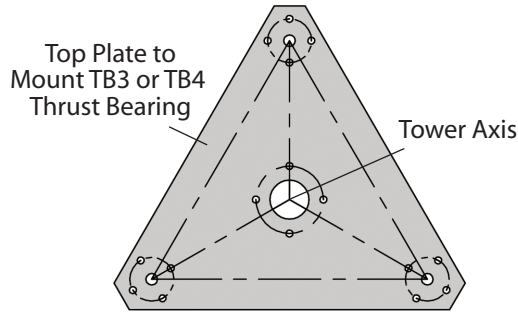


**ROTOR PLATE ASSEMBLIES
FOR SELF-SUPPORTING TOWERS**

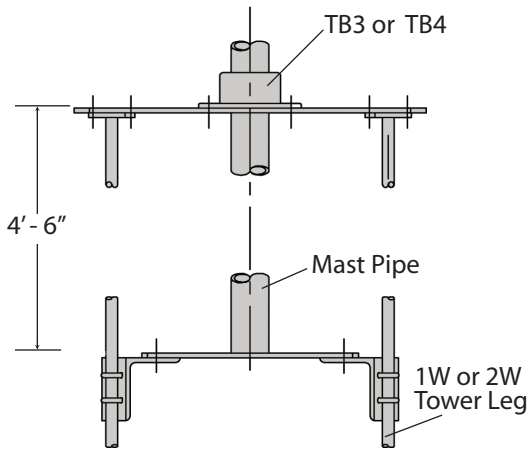
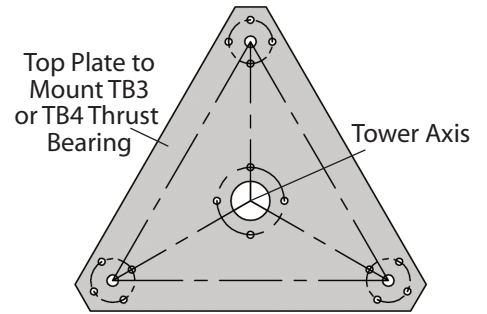
1W / 2W



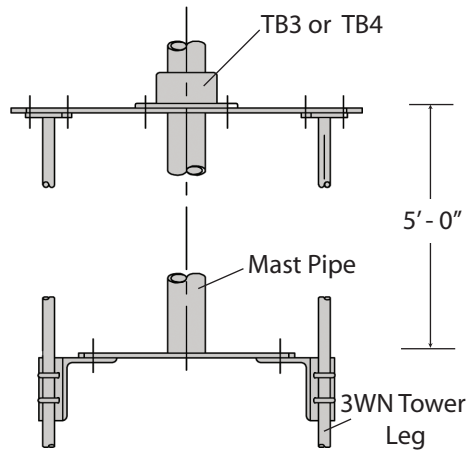
3WN



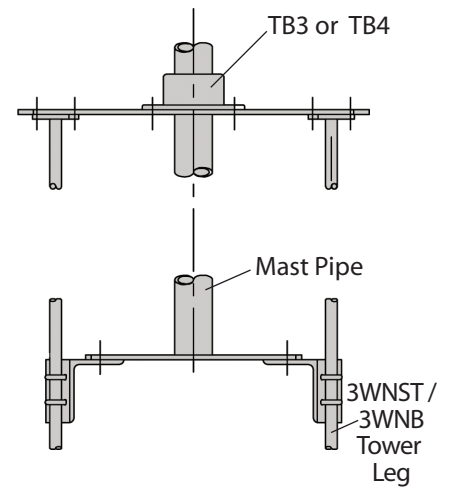
3WNST / 3WNB



P/N: VU479A



P/N: VU474A



P/N: VU140

NOTES:

1. This rotor plate assembly will fit: Cornell-Dubiler, Ham M, HamIV, HamIII Tailtwister, Channel Master, 9508A, 9515A, Alliance and HD73.
2. Flat washers are provided for all slotted holes.