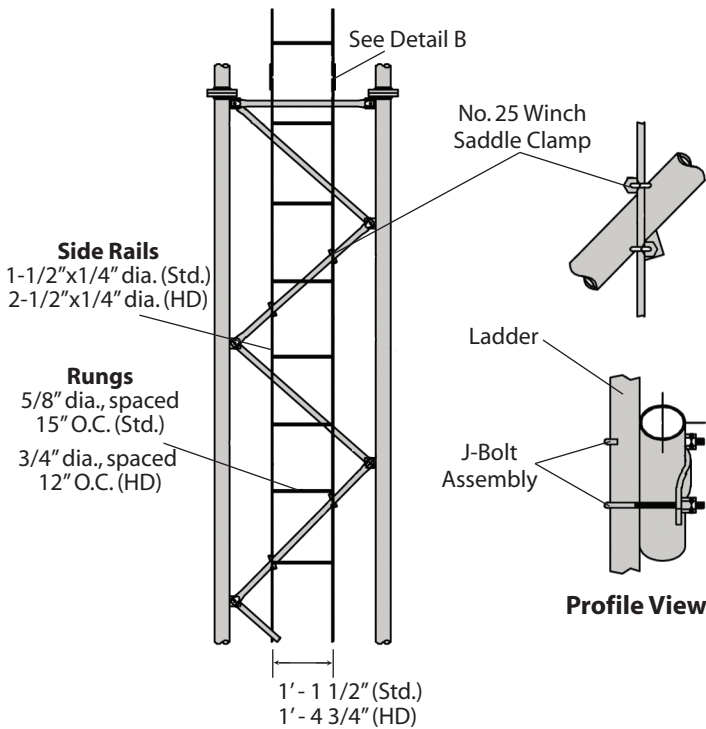
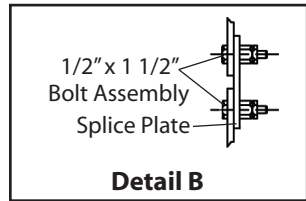


**CLIMBING LADDER  
FACE MOUNTED**

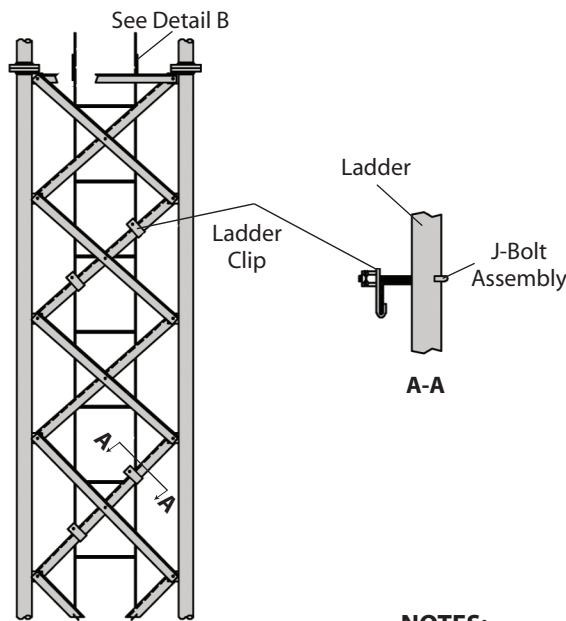


**Tubular Bracing**

<b>Standard</b>
<b>NL20FT</b> 20' Ladder
<b>NL10FT</b> 10' Ladder
<b>Heavy Duty</b>
<b>HL20FT</b> 20' Ladder
<b>HL10FT</b> 10' Ladder



**Detail B**



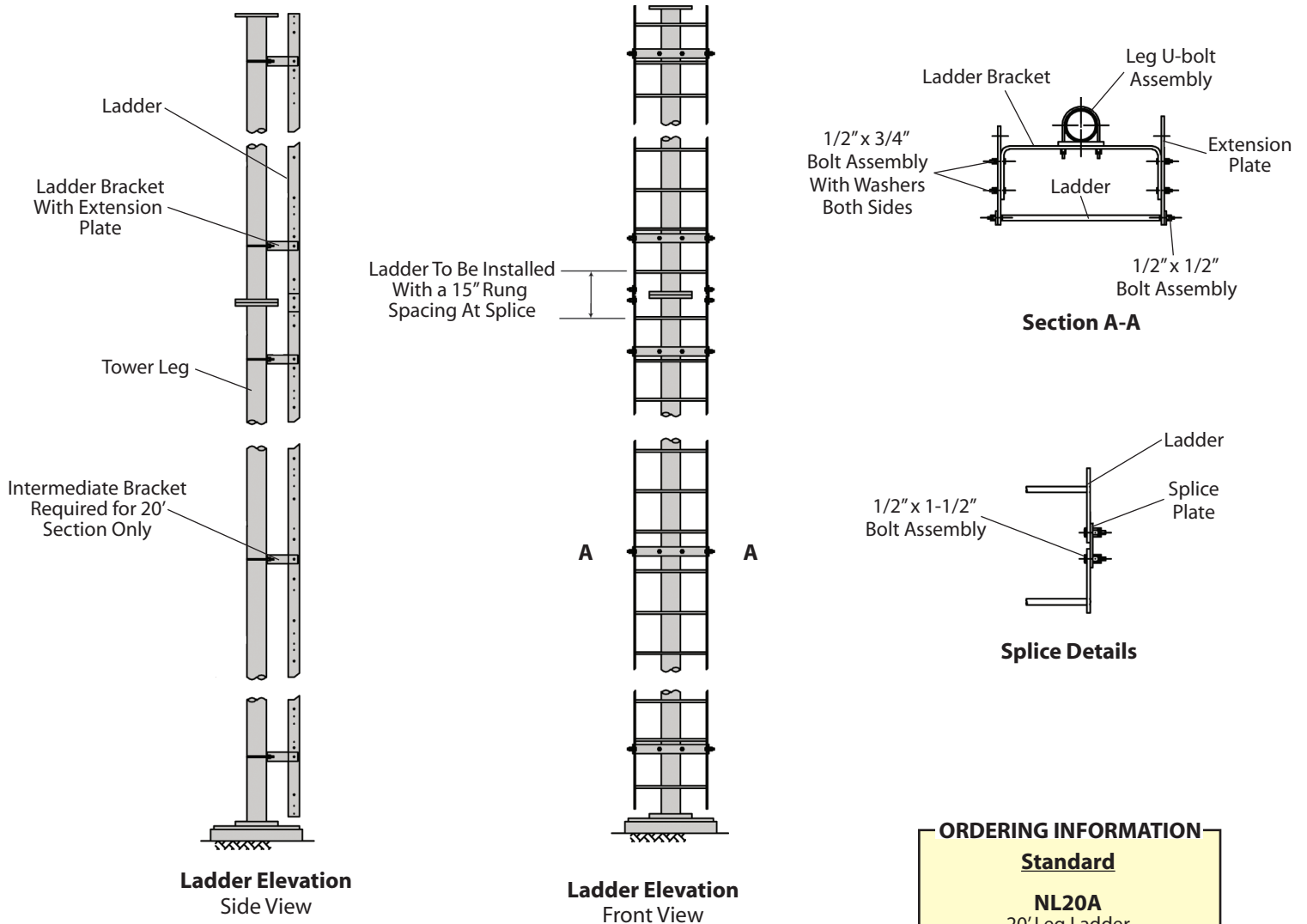
**Angular Bracing**

<b>Standard</b>
<b>NL20FA</b> 20' Ladder
<b>NL10FA</b> 10' Ladder
<b>Heavy Duty</b>
<b>HL20FA</b> 20' Ladder
<b>HL10FA</b> 10' Ladder

**NOTES:**

1. Ladder can be mounted inside or outside of tower as required.
2. Quantities listed are for one ladder section only.
3. Space clamps and clips as shown.
4. An additional 10' of ladder is provided for all towers 200' and taller.  
Ladder to be field cut to proper length after assembly.
5. Nut locking devices are provided for all bolts.
6. It is recommended that a safety device be provided with ladder installations for added climber safety.

# CLIMBING LADDER LEG MOUNT



**Notes:**

1. Flat washers are provided for all slotted holes.
2. Pal nuts are provided for all bolts.
3. An additional 10' ladder is provided for all towers 200' and over. Ladder to be field cut to proper length after installation.

**ORDERING INFORMATION**

**Standard**

**NL20A**  
20' Leg Ladder

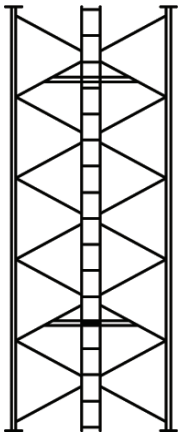
**NL10A**  
10' Leg Ladder

**Heavy Duty**

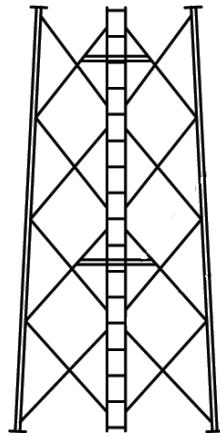
**HL162A**  
20' Leg Ladder

**HL161A**  
10' Leg Ladder

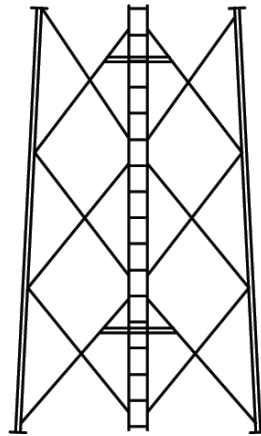
**CLIMBING LADDER  
INSIDE CORNER**



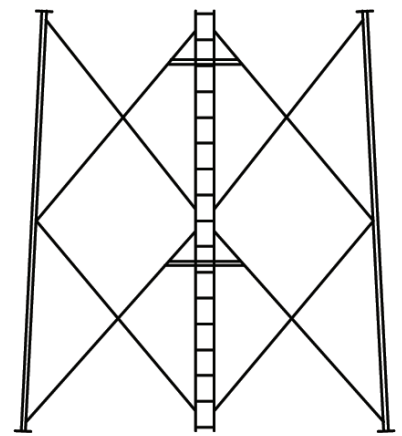
**7NST**  
5 Bays



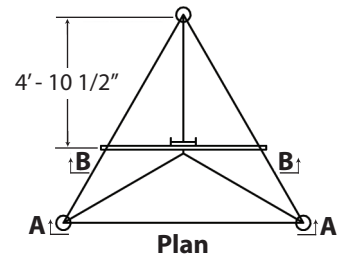
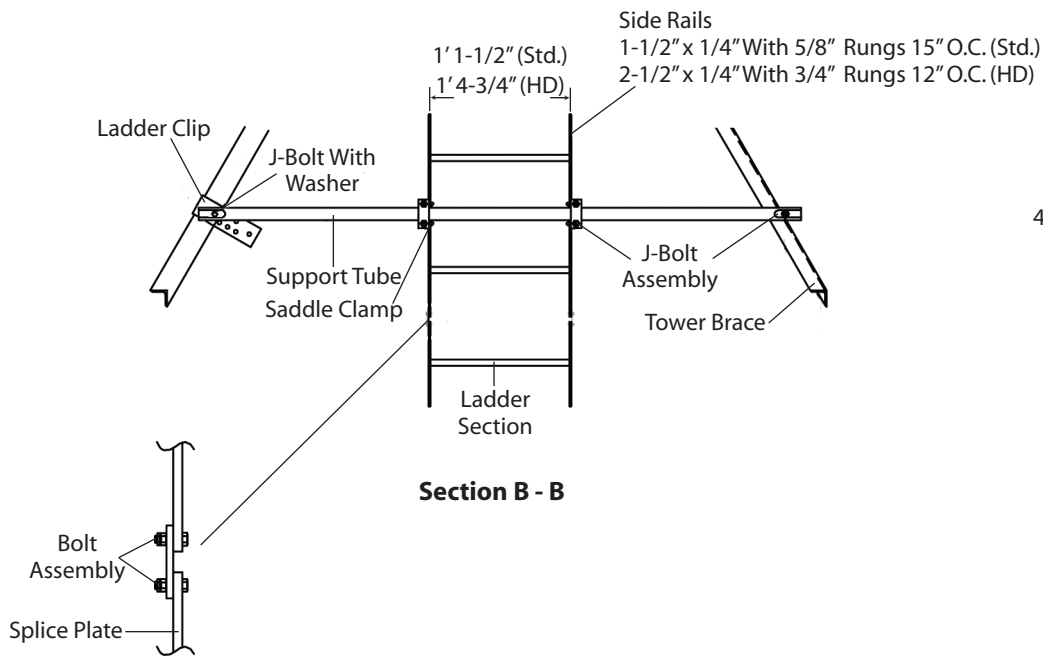
**8N**  
4 Bays



**9N - 11N**  
3 Bays



**12N - 16N**  
2 Bays



**Ordering Information**

**VY3092A**  
10' Section  
1 1/2" - 2 1/2" Brace

**VY3093A**  
20' Section  
1 1/2" - 2 1/2" Brace

**VY3094A**  
10' Section  
3" - 4" Brace

**VY3095A**  
20' Section  
3" - 4" Brace