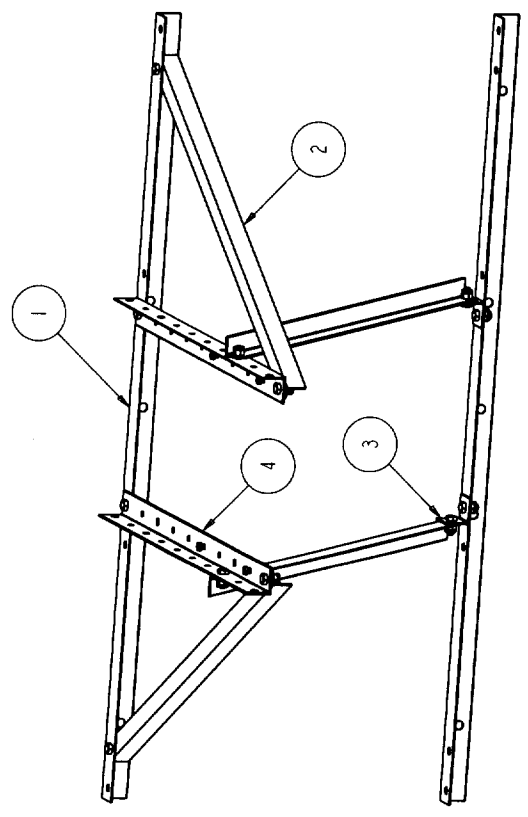
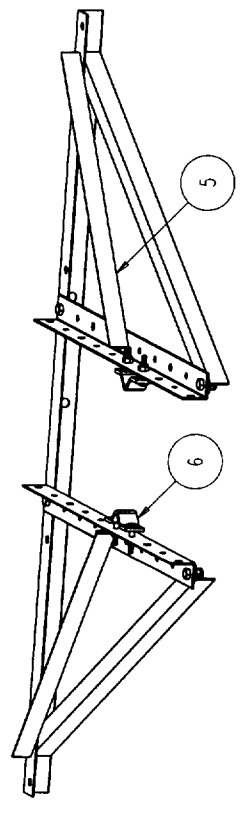
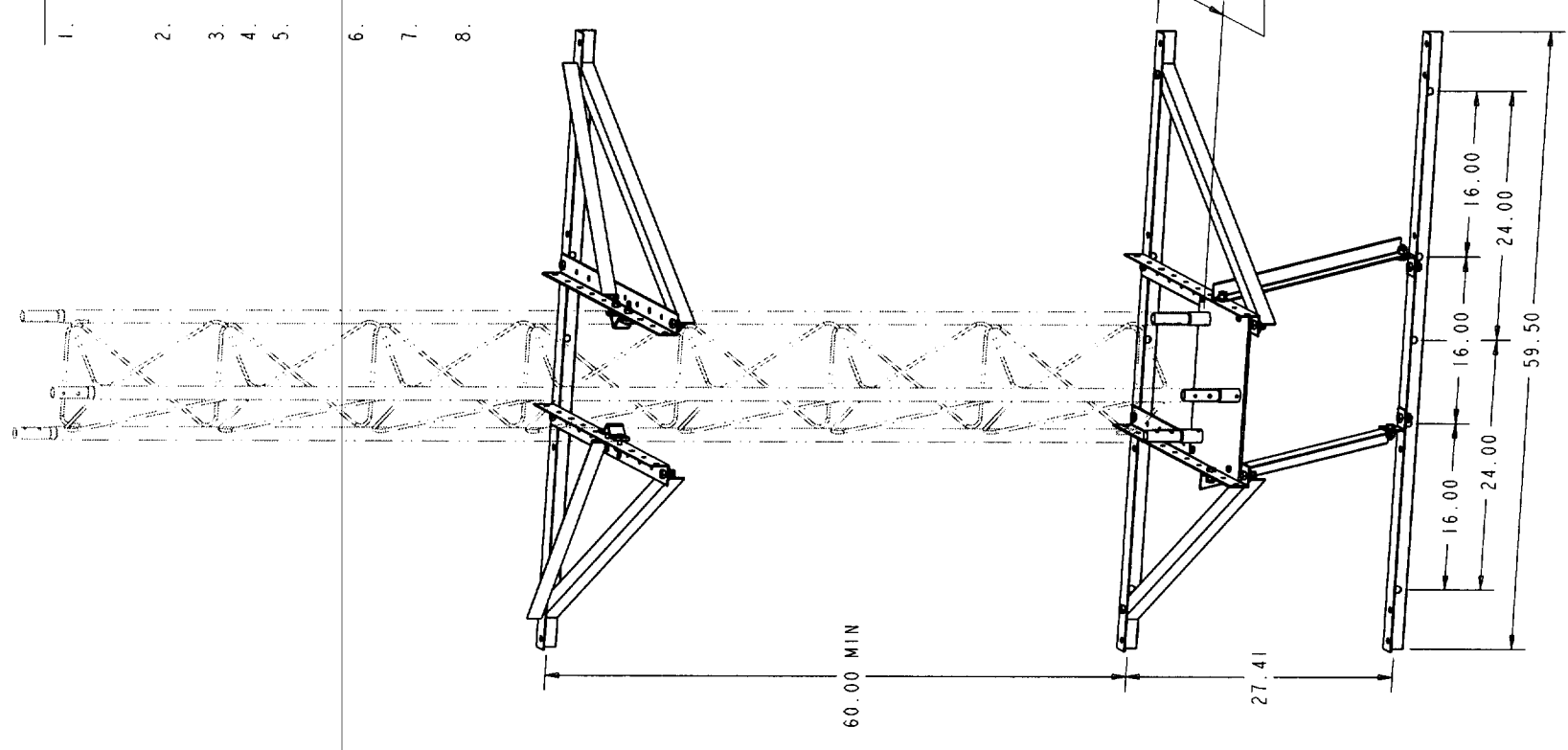
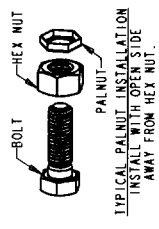


REV.	DESCRIPTION	REV. BY	DATE	APPROVED
01	FIXED BOM STRUCTURE TO MATCH SIMIX	ESM	07/17/01	JMG 07/17

IMPORTANT INSTALLATION NOTES

1. IT IS THE PURCHASERS RESPONSIBILITY TO VERIFY THAT THE INSTALLATION AND BUILDING STRUCTURE ARE ABLE TO WITHSTAND ALL LOADS IMPOSED BY THE ANTENNA SYSTEM AND MOUNT.
2. ANTENNA INSTALLATION SHOULD BE GROUNDED BY THE INSTALLER TO MEET ALL APPLICABLE CODES.
3. ALL PARTS ARE HOT DIP GALVANIZED AFTER FABRICATION.
4. ALL SEALANT TO BE SUPPLIED BY OTHERS, IF REQUIRED.
5. LOCAL ZONING, BUILDING CODES, AND INSURANCE COMPANIES MAY REQUIRE AN ARCHITECT OR STRUCTURAL ENGINEER'S APPROVAL PRIOR TO INSTALLATION.
6. INSPECT MOUNT AND ANTENNA INSTALLATION EVERY 6 MONTHS AND AFTER SEVERE WEATHER.
7. REFER TO ROHN DRAWING #A871302 FOR ALLOWABLE ANTENNA AND TOWER HEIGHT.
8. HOLES PROVIDED IN MOUNTING ANGLES ARE 1 1/16" DIAMETER FOR USE WITH HDG 5/8" THREADED ROD, PROVIDED BY OTHERS.



25GWMHDW - BILL OF MATERIAL

ITEM QTY	PART NO.	DESCRIPTION	DWG NO	ITEM WT.	WEIGHT
1	3	KY1205	ANGLE 2.00X2.00X.13X59.50 HDG	4.459	13.378
2	6	KY1201	ANGLE 1.50X1.50X.13X38.25 HDG	3.865	23.191
3	2	KH6772	ANGLE 2.00X2.00X.13X2.00 HDG	0.267	0.533
4	4	KH6773	ANGLE 2.00X2.00X.13X33.50 HDG	4.631	18.525
5	2	HB20100	ANGLE 1.50X1.50X.13X24.75 HDG	2.587	5.175
6	2	D114	CLAMP SADDLE .25 3.5 C TO C HDG	0.560	1.119
7	6	210005G	BOLT 3/8 X 1-1/4 HCS G5 HDG (-16)	0.056	0.336
8	4	210009G	BOLT 3/8 X 2 HCS G5 HDG (-16)	0.081	0.324
9	18	210017G	BOLT 1/2 X 1-1/4 HSB A325 HDG (-13)	0.104	1.872
10	2	250008G	WASHER 3/8 FLAT SAE HDG	0.008	0.016
11	10	230005	NUT 3/8 HVY HEX HDG	0.040	0.400
12	18	240085	NUT 1/2 HEX HDG	0.040	0.720
13	10	230007	NUT 3/8 PAL HDG	0.010	0.100
14	18	230011	NUT 1/2 PAL HDG	0.003	0.054
15	1	710208	CARTON FOR FRM'S (J517048)	0.500	0.500
16	1	720006	BAG POLY 9.00X13.00X4.00 MIL	0.100	0.100
17	1	740038	STICKER DANGER WATCH WIRE, REG	0.010	0.010
18	1	740224	LABEL 1-1/2" X 3" WIDE WHITE (KIMDURA)	0.000	0.000
19	1	FORM932754C-A	SAFETY SHEET (2-SIDED DOCUMENT)	0.100	0.100
20	1	FORMC990121	ASSY DRAWING F/25G WALL MOUNT	0.000	0.000
TOTAL WEIGHT				66.453	

BILL OF MATERIAL

ITEM QTY	PART NO.	DESCRIPTION	DWG NO	ITEM WT.	WEIGHT
1	1	25GWMHDW HARDWARE FOR 25GWM WALL MOUNT	C990121	65.743	65.743
2	1	KH6775 BASE PLATE W/STUBS, 25G WALL MOUNT	C990120	16.758	16.758
TOTAL WEIGHT				82.501	

ROHN
Products, Inc.

THIS DRAWING IS THE PROPERTY OF ROHN. IT IS NOT TO BE REPRODUCED IN ANY FORM WITHOUT OUR WRITTEN CONSENT.

ALL DIMENSIONS ARE GIVEN IN INCHES. TOLERANCES ARE AS GIVEN UNLESS NOTED OTHERWISE.

ANGLE 1-1/2" X 3" WIDE WHITE (KIMDURA)

SAFETY SHEET (2-SIDED DOCUMENT)

ASSY DRAWING F/25G WALL MOUNT

DATE: 06/13/00
BY: JMS
CHKD: DL 08/14
APP'D: JMG 07/17

NO. C990121
REV. 01

1 OF 1