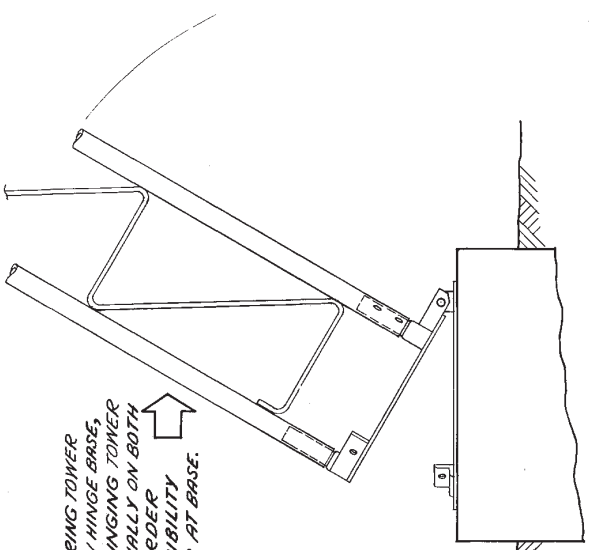
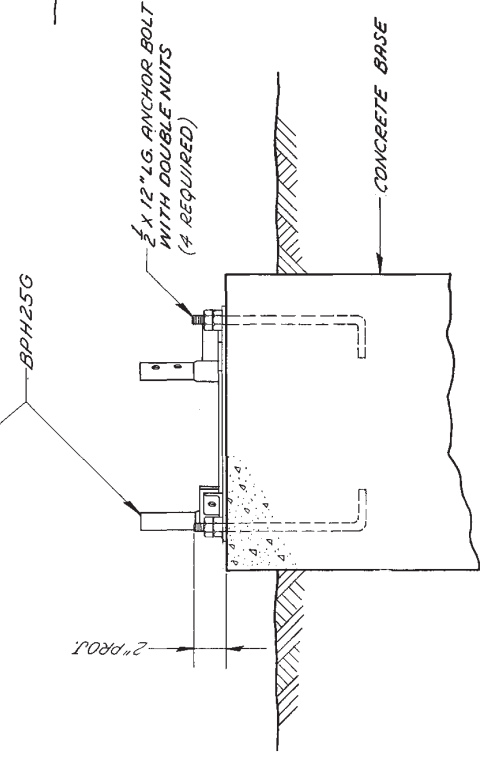
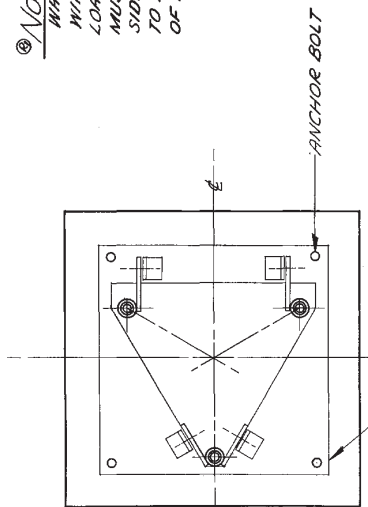


NOTE: WHEN RAISING & LOWERING TOWER WITHOUT ANTENNA ON HINGE BASE, LOADS APPLIED FOR HINGING TOWER MUST BE APPLIED EQUALLY ON BOTH SIDES OF TOWER IN ORDER TO REDUCE THE POSSIBILITY OF TWIST ON TOWER AT BASE.



IMPORTANT: BE SURE HINGE BOLTS ARE LOOSENED BEFORE ATTEMPTING TO FOLD TOWER OVER.  
 NOTE: DUE TO VARIABLES INVOLVED IN ROOF AND OTHER INSTALLATIONS, IT SHALL BE THE CUSTOMER'S OR INSTALLER'S RESPONSIBILITY TO PROVIDE STRUCTURALLY ADEQUATE SUPPORTS FOR PIER & ANCHOR CONNECTIONS. IT MAY ALSO BE NECESSARY FOR THE CUSTOMER OR INSTALLER TO SECURE THE SERVICE OF A LOCAL ENGINEER TO DETERMINE THAT INSTALLATION COMPLIES WITH LOCAL BUILDING CODES.



REVISIONS		DATE	BY
R2	ADDED NOTE	9-17-75	DA
R1	REVISED NOTE	8-22-75	DA

**ROHN** MANUFACTURING  
 DIVISION OF

TITLE: **BPH25G INSTALLATION**

FILE NO. \_\_\_\_\_

DATE: 2-12-75  
 DATE: 3-20-75  
 DATE: 5-20-75

BY: [Signature]

CHK: [Signature]

APP'D: [Signature]

DATE: 3-20-75

DATE: 5-20-75

FILE NO. C-750112

R2

NOTE: TOWERS MOUNTED ON THIS BASE MUST BE BRACKETED OR GUYED