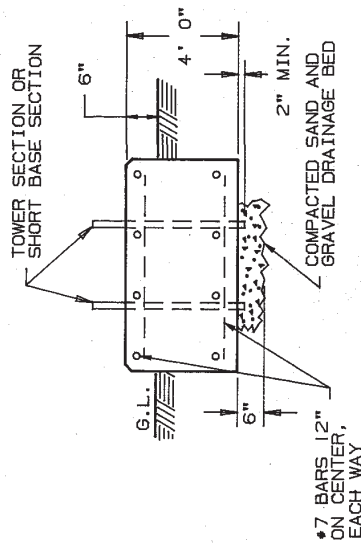


PLAN VIEW



ELEVATION VIEW

TOWER NO.	OVER-TURNING MOMENT FOOT POUNDS	MAX. ALLOW. SHEAR POUNDS	W	CONCRETE REQUIRED CU. YDS.
25G	6,800	700	4' 0"	2.4
45G	12,800	1,600	5' 3"	4.1
55G	22,900	1,600	6' 0"	5.3
65G	49,600	3,800	7' 9"	8.9

GENERAL NOTES

- FOR REQUIRED MATERIAL SPECIFICATIONS, INSTALLATION NOTES, AND TOLERANCES SEE DRAWING NUMBER BB41300.
- SEE DRAWING NUMBER AB71266 FOR MAXIMUM TOWER HEIGHTS AND ALLOWABLE ANTENNA AREAS.

No. ▲	Revision Description	▲	Date	▲	By
UNR-Rohn					
FOUNDATION DETAILS					
SELF-SUPPORTING 25, 45, 55 & 65 TOWERS					
Scale	Unless otherwise specified, dimensions are given in inches.				
	Variances	Decimals	Fractions	Angles	Weight
Drawn by	±	±	±	±	±
Checked by	±	±	±	±	±
DATE	Date	Date	Date	Date	Date
WDF	9/29/87	9/19/87	2/19/88		
Approved by Engineering	This drawing is the property of UNR-Rohn. It is not to be reproduced, copied or traced in whole or in part without our written consent.				
X K	File Number				
Approved by Production	Drawing Number				
	BB87025				