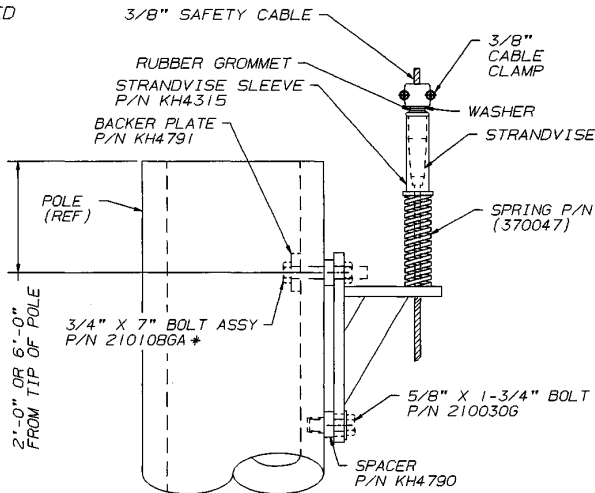




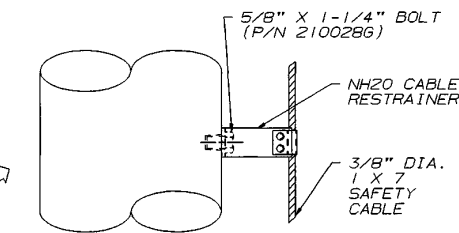
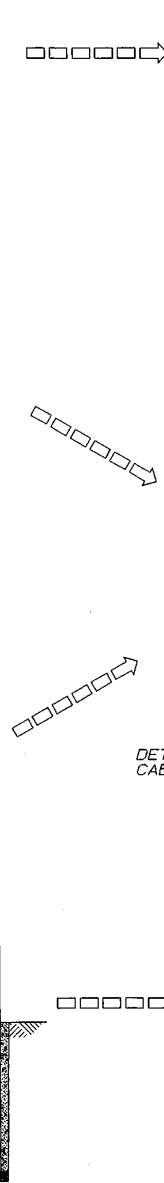
* BOLT MAY NEED TO BE REVERSED FOR SMALLER TIP DIAMETERS.



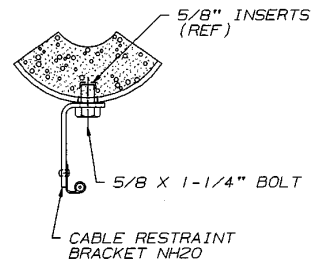
DETAIL ABOVE DEPICTS TOP PLATE INSTALLATION DIRECTLY TO FACE OF POLE.

DESIGN NOTES:

1. ROHN-LOC CLAMP MUST BE USED WITH A 3/8" DIA. 1 X 7 STEEL SAFETY CABLE.
2. IN THE EVENT OF A FALL, INSPECT COMPLETE SAFETY CLIMB SYSTEM AND REPLACE ANY DAMAGED PARTS BEFORE REUSING.
3. ROHN-LOC SYSTEM MEETS OSHA 1910.27 AND ANSI A14.3-1984.

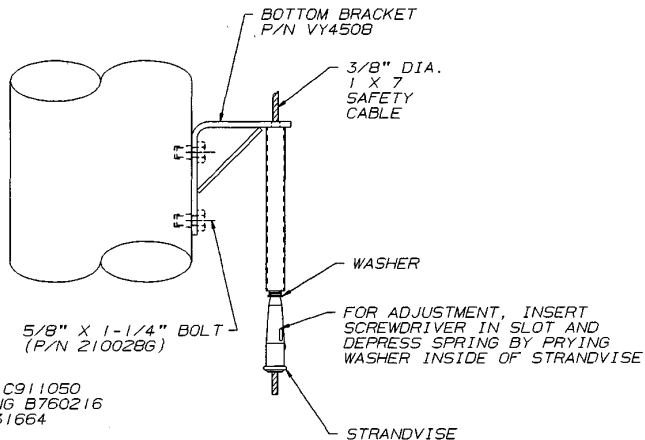


DETAIL DIRECTLY ABOVE DEPICTS CABLE RESTRAINER INSTALLATION



CABLE RESTRAINT SPACING

0' - 40'	(0)
40' - 85'	(1)
85' & UP	(2)



FABRICATION DRAWINGS
(FOR SHOP USE ONLY)

- FOR BOTTOM SAFETY BRACKET SEE DRAWING C911050
- FOR NH20 RESTRAINER BRACKET SEE DRAWING B760216
- FOR TOP MOUNTING PLATE SEE DRAWING B931664
- FOR BACKER PLATE SEE DRAWING A931254
- FOR SPACER DETAIL SEE DRAWING A931245

No. ▲ Revision Description		▲ Date ▲ Rev By ▲ Ckd By ▲ App'd By	
THIS DRAWING IS THE PROPERTY OF ROHN, INC. IT IS NOT TO BE REPRODUCED OR TRANSMITTED IN ANY FORM OR BY ANY MEANS, ELECTRONIC OR MECHANICAL, INCLUDING PHOTOCOPYING, RECORDING, OR BY ANY INFORMATION STORAGE AND RETRIEVAL SYSTEM, WITHOUT OUR WRITTEN CONSENT.			
Series: ROHN		Title: R O H N	
Safety Device Installation For Concrete Poles			
Drawn: JOM	Date: 4-27-93	By: JOM	Date: 4-27-93
Checked: JPR	Date: 4-29-93	App. Eng.: JT	Date: 4-30-93
App. Sales: JT	Date: 4-20-97	App. Sales: JT	Date: 4-20-97
DRAWING NO.: C930777			