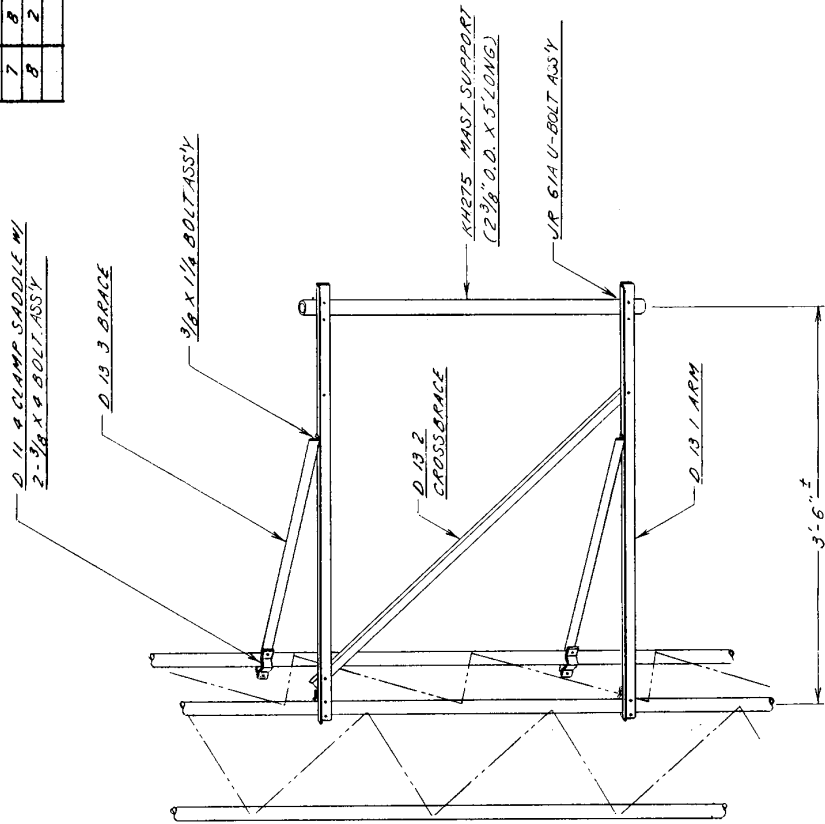




**BILL OF MATERIAL**

ITEM	QUN.	PART NO.	DESCRIPTION	DMG. NO.
1	2	D 13 1	ARM	C 2600326
2	1	D 13 2	CROSSBRACE	C 2600576
3	2	D 13 3	BRACE	C 2600576
4	4	D 11 4	CLAMP SADDLE	8770214
5	1	KH275	MAST SUPPORT - PIPE 2.5" O.D. X 5' L.	C 770404
6	4	2100056A	3/8 X 1 1/4 BOLT ASSY	C 770404
7	8	2100136A	3/8 X 4 BOLT ASSY	C 770404
8	2	UP 61A	U-BOLT ASSY	A 651020



**NOTE:**  
SIDE ARM DESIGNED TO SUPPORT A  
MAXIMUM LATERAL THRUST OF 100 LB.  
APPLIED 5 FT. ABOVE TOP OF MAST  
SUPPORT PIPE.

No.	Revision	Description	Date	By
R7		ADDED NOTE & UPDATED DWG.	3-19-91	WCS
R6		DELETE WIND LOAD	5-3-88	WCS
R5		REV. ASSY. PIN	11/27/79	625
R4		REV. PIN & ADDED DESIGN WIND LOAD	10-3-78	MDI
R3		CORRECTED REF. DIMG. NO.	7/6/77	625
R2		REV. BOLT-U-BOLT PINS	5-24-77	WHD
R1		RE-DRAWN. CHANGE BOLT LENGTHS	7/22/76	WCS

**ROHN®**

**D1330 SIDE ARM ASSEMBLY**

Scale	NONE	Unless otherwise specified, dimensions are given in inches.	
Drawn by	G.S.	Checked by	W.D.L.
Date	7/22/76	Date	7-29-76
Approved by	W.D.L.	Approved by	W.D.L.
Date	11-3-76	Date	11-3-76
Approved by	W.D.L.	Approved by	W.D.L.
Date	11-3-76	Date	11-3-76
Approved by	W.D.L.	Date	11-3-76
Approved by	W.D.L.	Date	11-3-76

**NOTE:** SIDE ARM AND BRACE ANGLE MUST BE  
LOCATED AS CLOSE AS POSSIBLE TO  
LEG - BRACE INTERSECTION.

**D1330 SIDE ARM**

Drawing Number: **C 620720 R2**