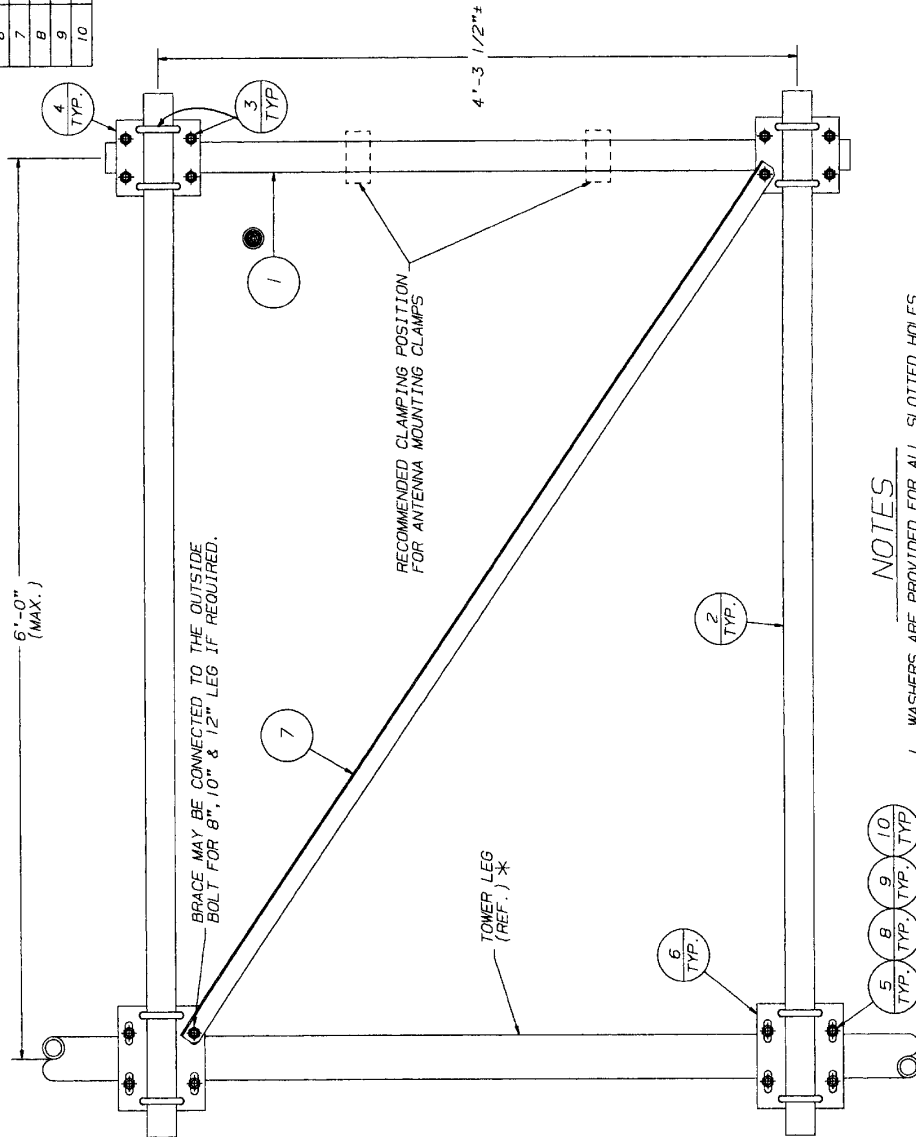




BILL OF MATERIAL

ITEM	QUN.	PART NO.	DESCRIPTION	DWG. NO.
1	1	KH275	MOUNTING PIPE 2STD X 5' LG.	B770160
2	2	KH1304	MOUNTING PIPE 2STD X 8' LG.	B770160
3	12	JR834	U-BOLT ASSY	B651028
4	2	KY14	CONNECTION PLATE	C740106
5	4	SEE CHART	U-BOLT	B651028
6	2	SEE CHART	MOUNTING PLATE	B810694
7	1	KH1616	BRACE L1-1/2 X 1/8	B810695
8	8	2500110	9/16" WASHER FOR U-BOLT	N/A
9	8	230013	1/2" NUT FOR U-BOLT	N/A
10	8	230011	1/2" PAL NUT	N/A

ASSY P/N	PIPE LEG (O.D.)	MTG PLATE (QTY-2)	U-BOLT (QTY-4 EA.)
SA624A	2.375-4.5	KH1614	JR83 JR84 JR89 JR88 JR85
SA656A	5.56-6.63	KH1615	JR86 JR87
SA68A	8.75	KH1716	JR90S
SA610A	10.75	KH1960	JR110
SA612A	12.75	KH1961	JR120



NOTES

1. WASHERS ARE PROVIDED FOR ALL SLOTTED HOLES.
2. THIS SIDE ARM IS DESIGNED FOR AN ALLOWABLE ANTENNA LOADING OF 300\* THRUST.
3. SIDE ARM MOUNTING PLATES MUST BE LOCATED AS CLOSE AS POSSIBLE TO LEG-BRACE INTERSECTION.
4. SIDE ARM ORIENTATION MAY VARY FROM TOWER AXIS.
- \* 5. CHECK TOWER ASSY DWG. FOR LEG SIZE TO DETERMINE IF 8" (P/N: KH2229) MOUNTING PIPES ARE NEEDED.
6. IF 8" (P/N: KH2229) MOUNTING PIPES ARE NEEDED INSTEAD OF 5" (P/N: KH275) MOUNTING PIPES IN ITEM #1, ADD AN 8 TO THE END OF THE PART NUMBER. (EXAMPLE: SA624A8)
7. NUMBERS SHOWN IN BALLOONS DENOTES ITEM NUMBER IN BILL OF MATERIAL.

No. ▲ Revision Description Date ▲ Rev. By ▲ Cha. By ▲ App. By

THIS DRAWING IS THE PROPERTY OF ROHN. IT IS NOT TO BE REPRODUCED, COPIED OR TRACED IN WHOLE OR IN PART WITHOUT OUR WRITTEN CONSENT.

**ROHN**

Title: 6' SIDE ARM ASSEMBLY FOR STRAIGHT OR TAPERED TOWER SECTIONS

Scale: NONE	By: JAM	Date: 3-29-88
Drawn: JAM	Checked: JZ	3/30/88
App. Eng.: JZ	3/31/88	
App. Sales:		

DRAWING NO.: C990868