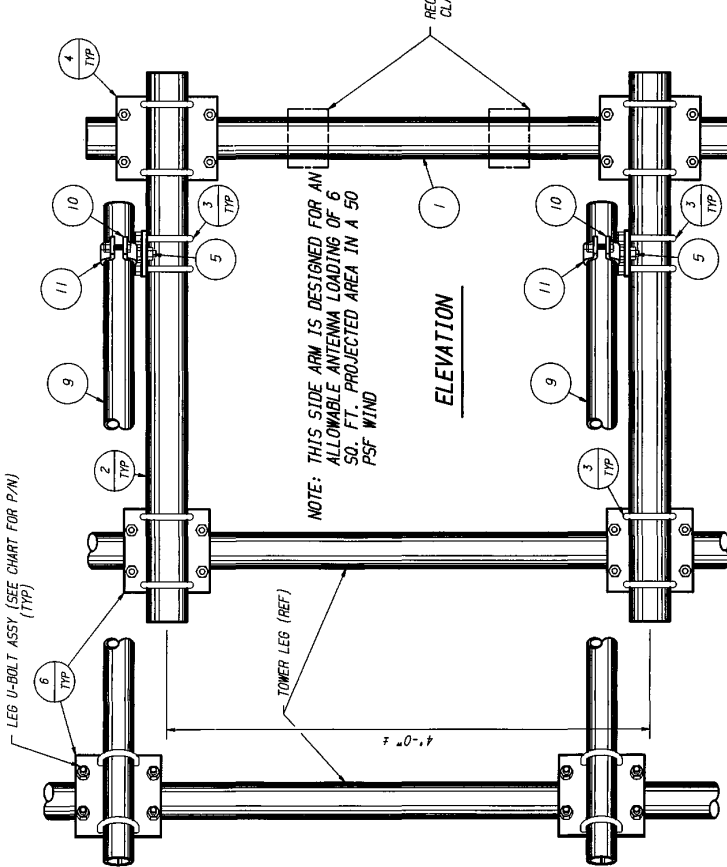
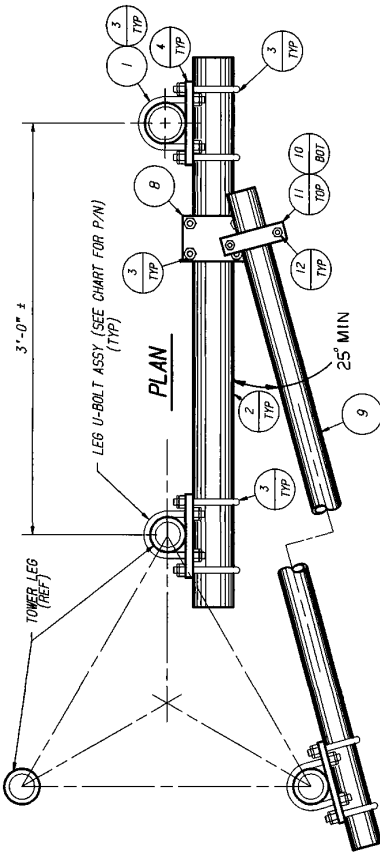




SIDE ARM ASSEMBLY BILL OF MATERIAL					
ITEM	QTY	PART NO.	DESCRIPTION	QTY	DATE
1	1	KH275	MOUNTING PIPE 25TD X 5'-0" LG.	1	8/70/60
2	2	KH1279	MOUNTING PIPE 25TD X 4'-0" LG.	2	8/70/60
3	20	JRB54	U-BOLT ASSY	20	8/65/028
4	2	KY14	CONNECTION PLATE	2	8/70/06
5	2	Z80015	1/2" ANOD NUT	2	N/A
6	4	KH1614	MOUNTING PLATE	4	8/01/804
7	8	SEE CHART	LEG U-BOLT ASSY W/WASHERS	8	8/65/028
8	2	KY1189	TIE-BACK CONNECTION PLATE	2	8/84/241
9	2	KH293	SWAY BRACE 25TD X 13'-4" LG.	2	8/70/60
10	2	KY1073	SADDLE CLAMP (LOWER)	2	8/64/824
11	2	D114	SADDLE CLAMP (UPPER)	2	8/70/214
12	4	21001364	3/8" X 4 BOLT ASSY	4	8/70/04

NOTE: WASHERS ARE PROVIDED FOR ALL SLOTTED HOLES



NOTE: THIS SIDE ARM IS DESIGNED FOR AN ALLOWABLE ANTENNA LOADING OF 6 SQ. FT. PROJECTED AREA IN A 50 PSF WIND

TOWER LEG SIZE	SIDE ARM ASSY P/N	LEG U-BOLT ASSY P/N
2" PIPE	SA32PL2TB	JRB3AW
2 1/2" PIPE	SA25PL2TB	JRB4AW
3" PIPE	SA33PL2TB	JRB5AW
3 1/2" PIPE	SA35PL2TB	JRB6AW
4" PIPE	SA37PL2TB	JRB7AW

NOTE: THIS TIE-BACK ARRANGEMENT IS TO BE USED ONLY AT LOCATIONS ON TOWERS WITH A FACE SPREAD OF 8'-6"± OR LESS

NOTE: SIDE ARM ORIENTATION MAY VARY FROM TOWER AXIS.

NOTE: SIDE ARM MOUNTING PLATES MUST BE LOCATED AS CLOSE AS POSSIBLE TO LEG-BRACE INTERSECTION.

R3		R2		R1		No. 1	
ADDED 25' ORIENTATION AND NOTE	DATE	ADDED SIDE ARM NOTE	DATE	REVISED WAS KY283 IN B.O.M.	DATE	REV. BY	APP. BY
	8-30-91		8/11/90		12/18/88		
	WEB		WEB		RKB		
	MDZ		ZTZ				

THIS DRAWING IS THE PROPERTY OF ROHN. IT IS NOT TO BE REPRODUCED OR TRANSMITTED IN ANY FORM OR BY ANY MEANS WITHOUT OUR WRITTEN CONSENT.

Scale: NONE By: Date Title: **R O H N**

Drawn: RKB 11/4/86  
Checked: GPW 12/4/86  
App. Eng.: TS 12/9/86  
App. Sales: JC 12/9/86

3" SIDE ARM ASSY W/2 TIE-BACKS FOR STRAIGHT OR TAPERED TOWER SECTIONS

ENG. FILE: CB61004R3