



P/N VY4493A SIDE ARM ASSEMBLY BILL OF MATERIAL

ITEM QTY	PART NO.	DESCRIPTION	DWG NO.
1	VY4493	TOP AND BOTTOM SUPPORT ANGLE	B911105
2	VY4493	TOP AND BOTTOM BRACKET SUPPORTS	B910998
3	VY4490	DIAG. KNEE BRACE	B911102
4	RH1215	MOUNTING PIPE (3 1/2" X 6' - 9')	B790909
5	JRB9A	U-BOLT ASSY.	B651028
6	2100196A	BOLT ASSY. 1/2" X 1 3/4"	C770404
7	2100186A	BOLT ASSY. 1/2" X 1 1/2"	C770404

★ P/N VY4496A 11" TIE-BACK ASSY (5' MAX. F.S.)
★★ P/N VY4497A 15" TIE-BACK ASSY (8' - 6" MAX. F.S.)

ITEM	★	★	★	PART NO.	DESCRIPTION	DWG NO.
8	1	---	---	VY4498	11" TIE-BACK 2 STD. PIPE	B911101
9	---	1	---	VY4494	15" TIE-BACK 2 1/2 STD. PIPE	B910989
10	---	---	1	VY4063	TIE-BACK PLATE	B971009
11	---	---	2	JRB14	U-BOLT ASSY.	B651028
12	1	---	---	RH1614	TIE-BACK PLATE	B910894
13	2	---	---	JRB3A	U-BOLT ASSY.	C770404
14	1	1	1	2100306A	BOLT ASSY. (5/8" X 1 3/4")	C770404

LEG U-BOLT KITS

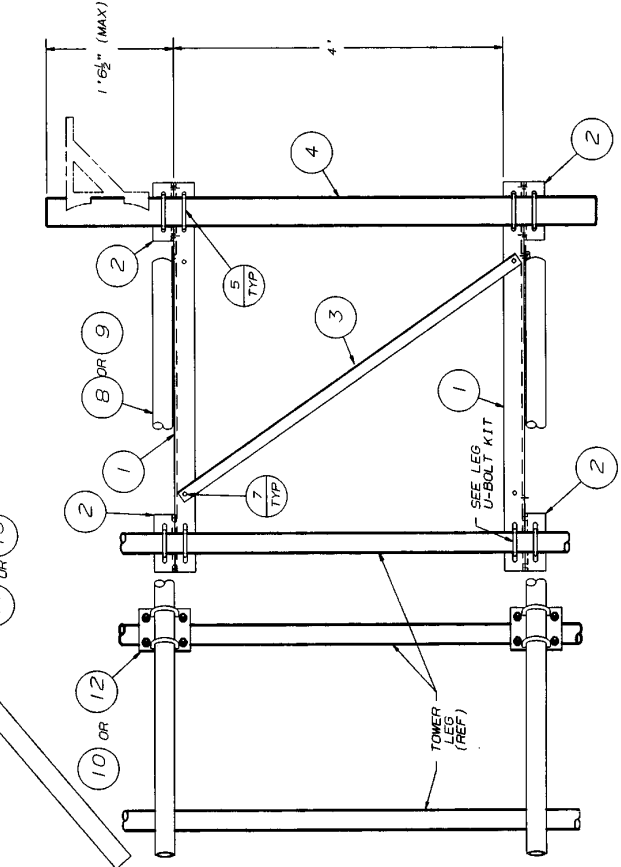
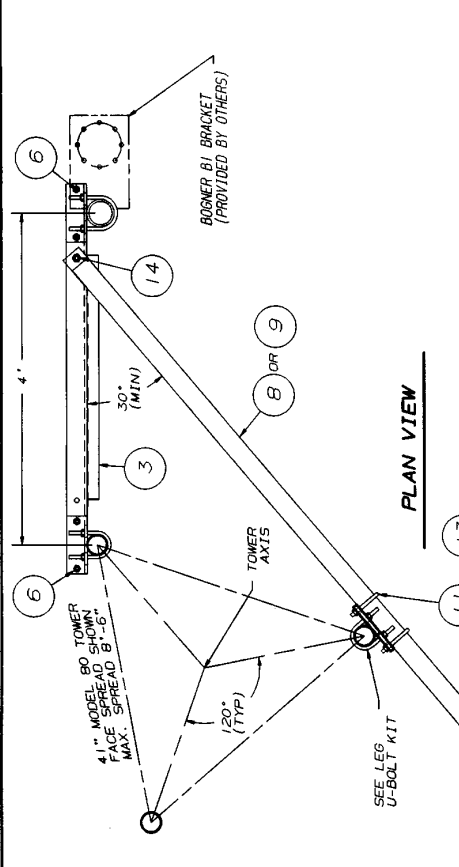
LEG SIZE	U-BOLT P/N	KIT ASSY P/N
2"	JRB3AW	JRB3AW4
2-1/2"	JRB4AW	JRB4AW4
3"	JRB5AW	JRB5AW4
3-1/2"	JRB6AW	JRB6AW4
4"	JRB7AW	JRB7AW4

SIDE ARM ORDERING INFORMATION

- 1 - SIDE ARM ASSEMBLY
- 2 - LEG U-BOLT KIT ASSEMBLIES
- 2 - TIE-BACK KIT ASSEMBLIES

GENERAL NOTES

1. PAL NUTS ARE PROVIDED FOR ALL BOLTS.
2. FLAT WASHERS ARE PROVIDED FOR ALL SLOTTED HOLES.
3. SIDE ARM MOUNTING PLATES MUST BE LOCATED AS CLOSE AS POSSIBLE TO LEG-BRACE INTERSECTION.
4. BRACES HAVE BEEN OMITTED FOR CLARITY OF SIDE ARM CONNECTION PLATES.
5. THIS SIDE ARM IS PROVIDED WITH SLOTTED HOLES FOR MAXIMUM OVERTURNING MOMENT FROM THE ANTENNA OF 4.2 FT-KIPS.



ELEVATION

REV	QTY CHANGE	IN ITEM'S	10, 12, & 14	12-29-91	JOM	WRV	75
RI	RH1614 WAS	VY1614		5-15-91	RKB	JOM	
No. ▲	Revision	Description	▲ Date	▲ Rev. By	▲ Chg. By	▲ App. By	

THIS DRAWING IS THE PROPERTY OF ROK. IT IS NOT TO BE REPRODUCED OR TRACED IN WHOLE OR IN PART WITHOUT OUR WRITTEN CONSENT.

Start:	NAME	By:	Date:
Drawn:	RKB		4-18-91
Checked:	WDU		5-3-91
App. Eng.:	TS		5-10-91
App. Supt.:	JC		5-10-91

Title: **R O H N**
1" SIDE ARM ASSY W/2 TIE BACKS & BMT12 ANTENNAS (STRAIGHT)

ENG. FILE: **C911040 R2**