



ITEM QTY	PART NO.	DESCRIPTION	DWG NO.
1	VY4482	TOP AND BOTTOM SUPPORT ANGLE	C91087B
2	VY4483	TOP AND BOTTOM BRACKET SUPPORTS	B91099B
3	VY4061	DIAG. KNEE BRACE	B971007
4	KH1215	MOUNTING PIPE (3 1/2" X 6'-8")	B790909
5	JRB99A	U-BOLT ASSY	B65102B
6	2100196A	BOLT ASSY 1/2" X 1 3/4"	C770404
7	2100186A	BOLT ASSY 1/2" X 1 1/2"	C770404

ITEM	PART NO.	DESCRIPTION	DWG NO.
8	VY4488	11" TIE-BACK 2 STD PIPE	B911101
9	VY4484	15" TIE-BACK 2 1/2 STD PIPE	B910999
10	VY4063	TIE-BACK PLATE	B971009
11	JRB44A	U-BOLT ASSY	B65102B
12	KH1614	TIE-BACK PLATE	B910894
13	JRB3A	U-BOLT ASSY	C770404
14	2100306A	BOLT ASSY (5/8" X 1 3/4")	C770404

**LEG U-BOLT KITS**

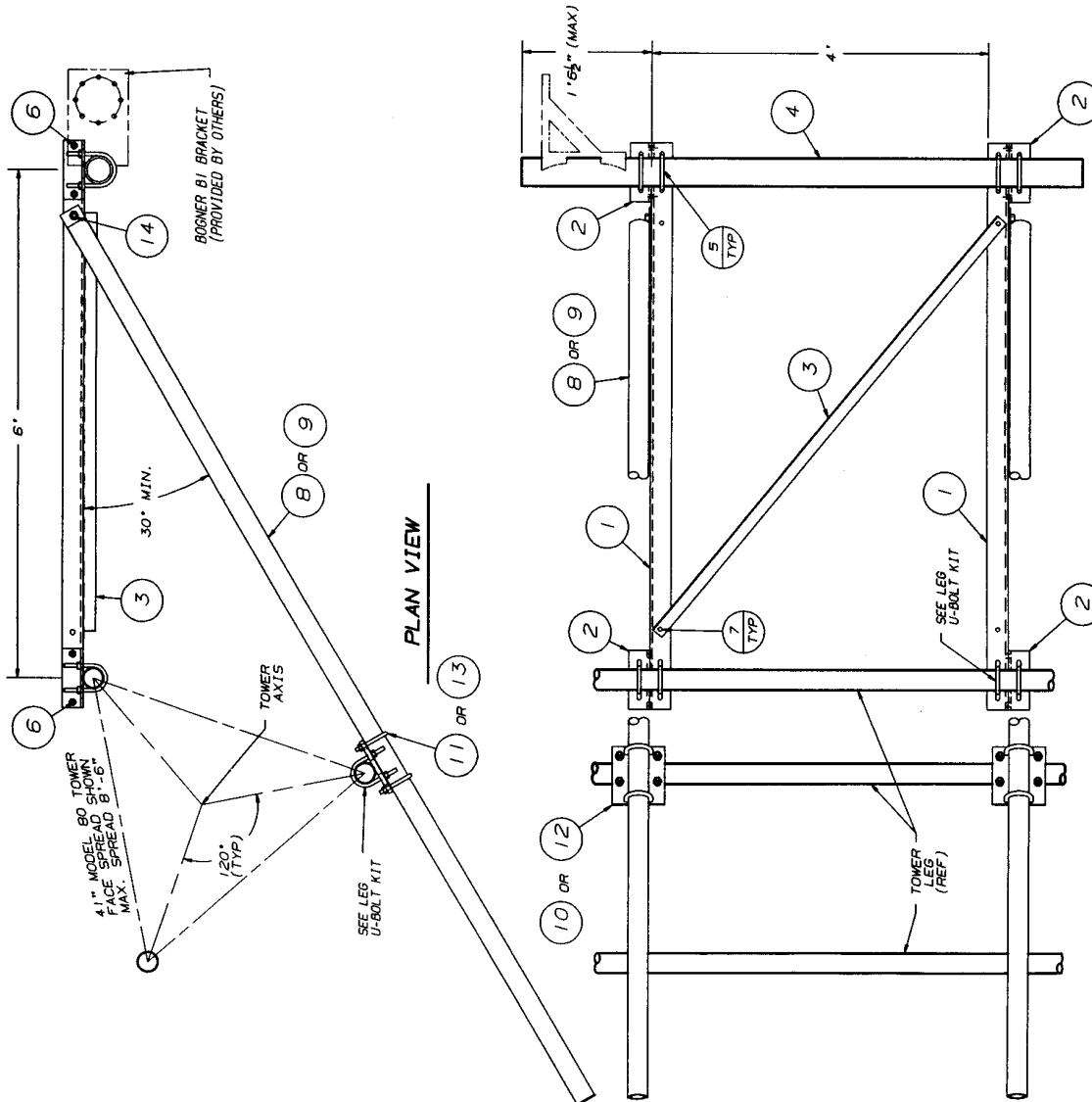
LEG SIZE	U-BOLT KIT ASSY P/N
2"	JRB3AW
2-1/2"	JRB4AW
3"	JRB5AW
3-1/2"	JRB6AW
4"	JRB7AW

**SIDE ARM ORDERING INFORMATION**

- 1 - SIDE ARM ASSEMBLY
- 2 - LEG U-BOLT KIT ASSEMBLIES
- 2 - TIE-BACK KIT ASSEMBLIES

**GENERAL NOTES**

1. PAL NUTS ARE PROVIDED FOR ALL BOLTS.
2. FLAT WASHERS ARE PROVIDED FOR ALL SLOTTED HOLES.
3. SIDE ARM MOUNTING PLATES MUST BE LOCATED AS CLOSE AS POSSIBLE TO LEG-BRACE INTERSECTION.
4. BRACES HAVE BEEN OMITTED FOR CLARITY. SIDE ARM CONNECTION PLATES ON LEGS MUST BE PROVIDED FOR SLOTTED HOLES.
5. THIS SIDE ARM IS DESIGNED FOR A MAXIMUM OVERTURNING MOMENT FROM THE ANTENNA OF 4.2 FT-KIPS.



RT	KH1614	WAS VY1614	5-10-91	RKB	WGL	7.5
No. Revision Description			5-10-91	RKB	WGL	7.5
THIS DRAWING IS THE PROPERTY OF ROHM. IT IS NOT TO BE REPRODUCED, COPIED OR TRACED IN WHOLE OR IN PART WITHOUT OUR WRITTEN CONSENT.			▲ Date ▲ Rev. By ▲ Ckd. By ▲ App. By			
Scale:	NONE	By:	Date:	Title:		
Drawn:	RKB	4-18-91	R O H N			
Checked:	WDL	5-3-91	6" SIDE ARM ASSY W/2 TIE BACKS			
App. Eng.:	TS	5-10-91	BMR10 & BMR12 ANTENNAS (STRAIGHT)			
App. Supt.:	JC	5-10-91	DRAWING NO. C910877 RI			