



P/N VY4495A SIDE ARM ASSEMBLY BILL OF MATERIAL

ITEM QTY	PART NO.	DESCRIPTION	DWG NO.
1	VY4492	TOP AND BOTTOM SUPPORT ANGLE	C911037
2	VY4483	TOP AND BOTTOM BRACKET SUPPORTS	B910986
3	VY4512	DIAG. KNEE BRACE	B911103
4	KH1215	MOUNTING PIPE (3 1/2" X 6' - 8")	B990909
5	JR89A	U-BOLT ASSY	B651028
6	2100186A	BOLT ASSY 1/2" X 1 3/4"	C770404
7	2100186A	BOLT ASSY 1/2" X 1 1/2"	C770404

★ P/N VY4496A 11" TIE-BACK ASSY (5" MAX. F.S.)
★★ P/N VY4497A 15" TIE-BACK ASSY (8" - 6" MAX. F.S.)

ITEM	★	★	★	PART NO.	DESCRIPTION	DWG NO.
8	1	---	---	VY4488	11" TIE-BACK 2 STD PIPE	B911101
9	---	1	---	VY4484	15" TIE-BACK 2 1/2 STD PIPE	B910989
10	---	1	---	VY4063	TIE-BACK PLATE	B971009
11	---	2	---	JR84A	U-BOLT ASSY	B651028
12	1	---	---	KH1614	TIE-BACK PLATE	B810894
13	2	---	---	JR83A	U-BOLT ASSY	C770404
14	1	1	1	2100308A	BOLT ASSY (5/8" X 1 3/4")	C770404

LEG U-BOLT KITS

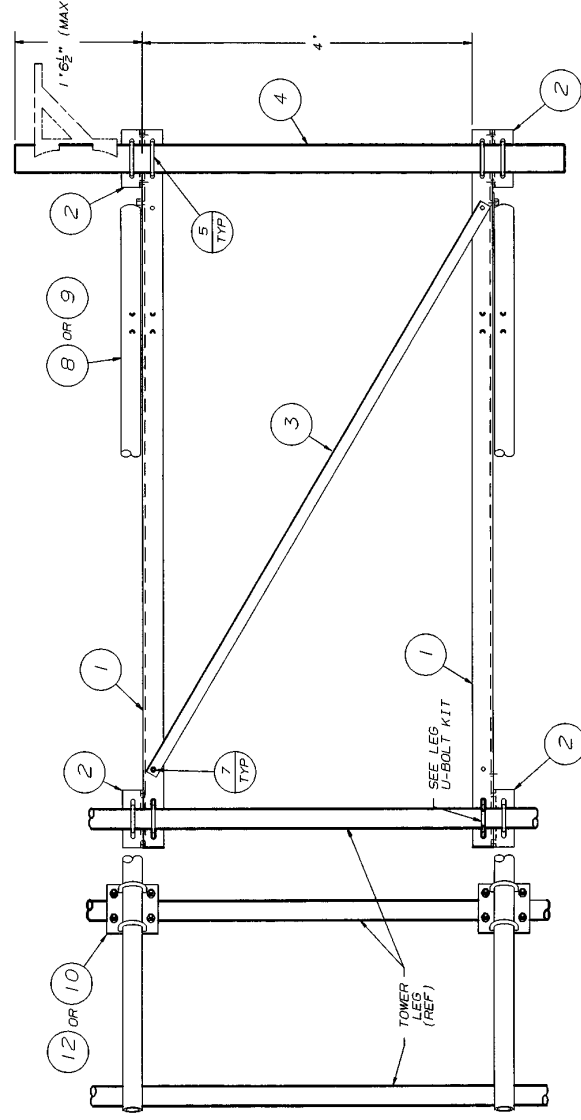
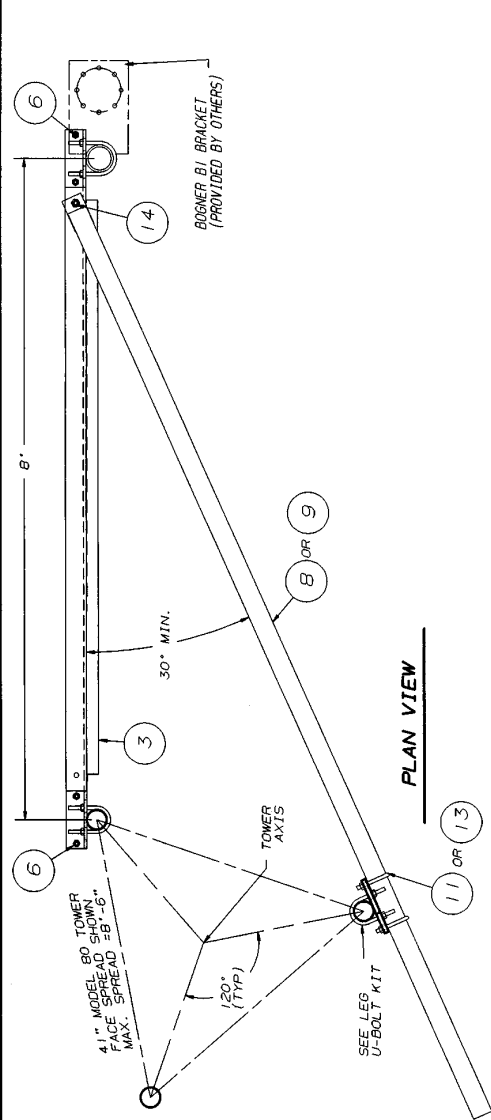
LEG SIZE	U-BOLT KIT ASSY P/N
2" PIPE	JR83AW JR83AW4
2-1/2" PIPE	JR84AW JR84AW4
3" PIPE	JR85AW JR85AW4
3-1/2" PIPE	JR86AW JR86AW4
4" PIPE	JR87AW JR87AW4

SIDE ARM ORDERING INFORMATION

- 1 - SIDE ARM ASSEMBLY
- 2 - LEG U-BOLT KIT ASSEMBLIES
- 2 - TIE-BACK KIT ASSEMBLIES

GENERAL NOTES

1. PAL NUTS ARE PROVIDED FOR ALL BOLTS.
2. FLAT WASHERS ARE PROVIDED FOR ALL SLOTTED HOLES.
3. SIDE ARM MOUNTING PLATES MUST BE LOCATED AS CLOSE AS POSSIBLE TO LEG-BRACE INTERSECTION.
4. BRACES HAVE BEEN OMITTED FOR CLARITY OF SIDE ARM CONNECTION PLATES.
5. WASHERS ARE PROVIDED FOR ALL SLOTTED HOLES.
6. MOMENT FROM THE ANTENNA OF 4.2 FT-KIPS



R2 QTY CHANGE IN ITEM'S 10, 12, & 14

RI	QTY	DESCRIPTION	DATE	BY	CHKD BY	APPRD BY
1	1	KH1614 WAS VY4512 WAS VY4491	9-14-91	RKB	WCU	TS
2	1		12-29-98	JDM	WCU	TS

THIS DRAWING IS THE PROPERTY OF ROHN, INC. IT IS NOT TO BE REPRODUCED OR TRANSMITTED IN ANY FORM OR BY ANY MEANS, ELECTRONIC OR MECHANICAL, WITHOUT WRITTEN PERMISSION FROM ROHN, INC.

ROHN

Scale:	NAME	By	Date	Title
Drawn:	RKB	4-18-91		
Checked:	WCU	5-3-91		
App. Eng.:	TS	5-10-91		
App. Sales:	JC	5-10-91		

**8" SIDE ARM ASSY W/2 TIE BACKS
BMR10 & BMR12 ANTENNAS (STRAIGHT)**

DRAWING NO.: C911041 R2