

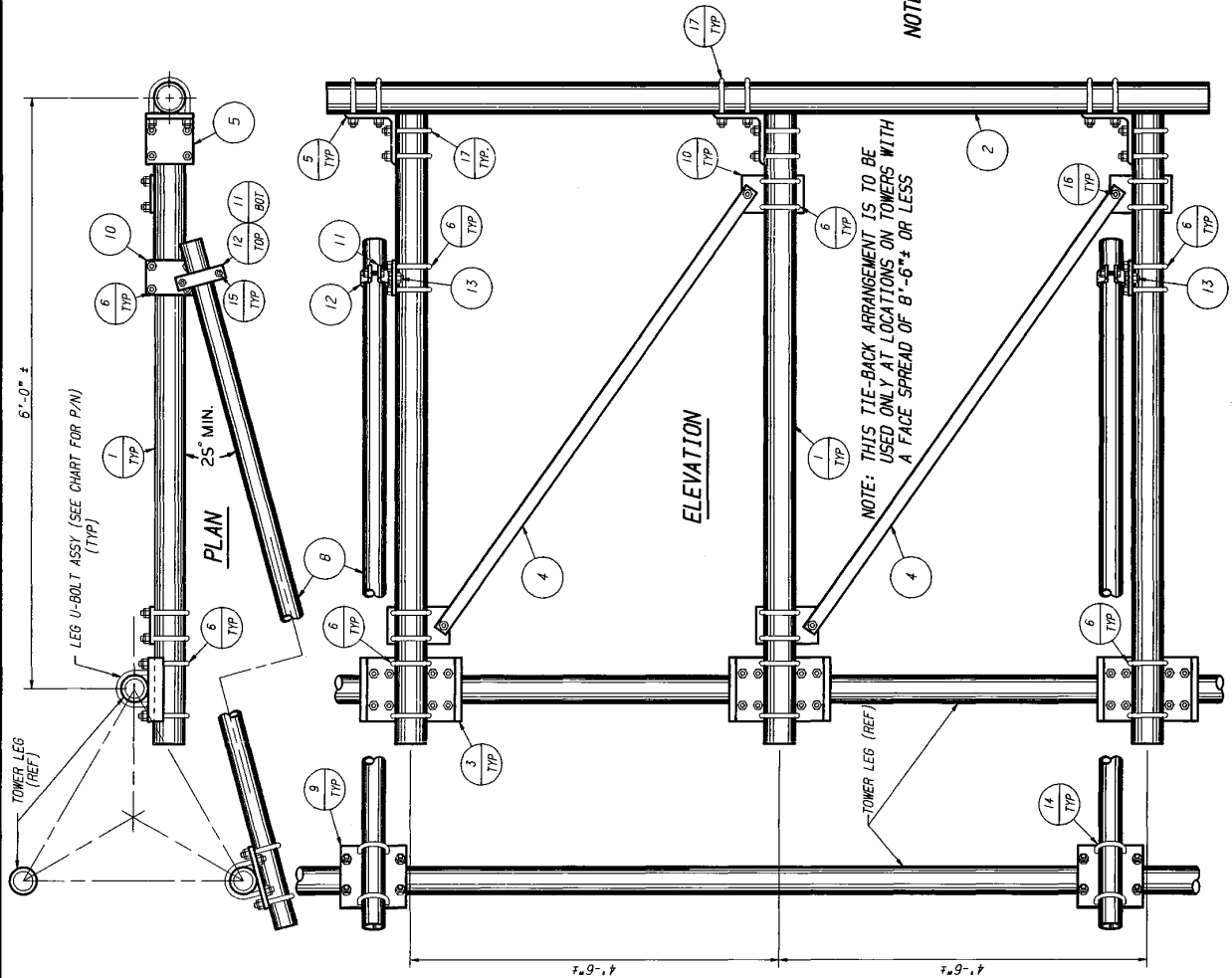


SIDE ARM ASSEMBLY BILL OF MATERIAL				
ITEM	QTY	PART NO.	DESCRIPTION	DWG. NO.
1	3	KH2841	HORIZONTAL MOUNTING PIPE	B770160
2	1	M4386	MOUNTING PIPE 2-1/2 STD X 12'-0" LG.	B770160
3	3	KY1288	SIDE ARM PLATE	C868413
4	2	B6272	SIDE ARM BRACE	B638453
5	3	KY1215	SIDE ARM ANGLE	B658443
6	18	JR844	U-BOLT ASSY	B651028
7	16	SEE CHART	LEG U-BOLT ASSY W/WASHERS	B651028
8	2	M2830	SWAY BRACE	B770160
9	2	KH1614	CONNECTION PLATE	B610894
10	6	KY1078	CONNECTION PLATE	B630885
11	2	KY1073	SADDLE CLAMP (LOWER)	B648824
12	2	D114	SADDLE CLAMP (UPPER)	B178214
13	2	Z30015	1/2" ANOD. NUT	N/A
14	4	JR83A	U-BOLT ASSY	B651028
15	4	21001384	3/8 X 4 BOLT ASSY	C794004
16	4	21001664	1/2 X 1-1/2 BOLT ASSY	C794004
17	12	JR845A	U-BOLT ASSY	B730837

NOTE: WASHERS ARE PROVIDED FOR ALL SLOTTED HOLES

TOWER LEG SIZE	SIDE ARM ASSY P/N	LEG U-BOLT ASSY P/N
2" PIPE	KY1287A	JR83AW
2 1/2" PIPE	KY1288A	JR84AW
3" PIPE	KY1299A	JR86AW
3 1/2" PIPE	KY1300A	JR89AW
4" PIPE	KY1301A	JR85AW

NOTE: 1. SIDE ARM MOUNTING PLATES MUST BE LOCATED AS CLOSE AS POSSIBLE TO LEG-BRACE INTERSECTION.
2. SIDE ARM ORIENTATION MAY VARY FROM TOWER AXIS.



NOTE: THIS TIE-BACK ARRANGEMENT IS TO BE USED ONLY AT LOCATIONS ON TOWERS WITH A FACE SPREAD OF 8'-6"± OR LESS

No.	Revision Description	Date	Rev. By	Chk. By	Appr. By
R4	ADDED 25° ORIENTATION AND NOTE	8-30-91	WEB	Z-ESJ	
R3	REVISED U-BOLT LOCATIONS	6-27-91	WEB		
R2	P/N KY1295 WAS KY1181; REDRAWN	7-7-88	JHD/WRF	KTL	TS
R1	ADD 2-KY1078 & BRACES WERE KY1077	1/11/88	JHD	WDU	TS

THIS DRAWING IS THE PROPERTY OF ROHN. IT IS NOT TO BE REPRODUCED, COPIED OR TRACED IN WHOLE OR IN PART WITHOUT OUR WRITTEN CONSENT.

Scale: NONE
By: BLJ
Date: 4/30/86
Drawn: KTL
Date: 4/30/86
Checked: KTL
Date: 5/6/86
App. Eng.: TS
App. Stress: JC
Date: 5/6/86

ENG. FILE: C860419R4

ROHN

UNIVERSAL HEAVY SIDE ARM ASSEMBLY FOR PD1132D ANTENNA