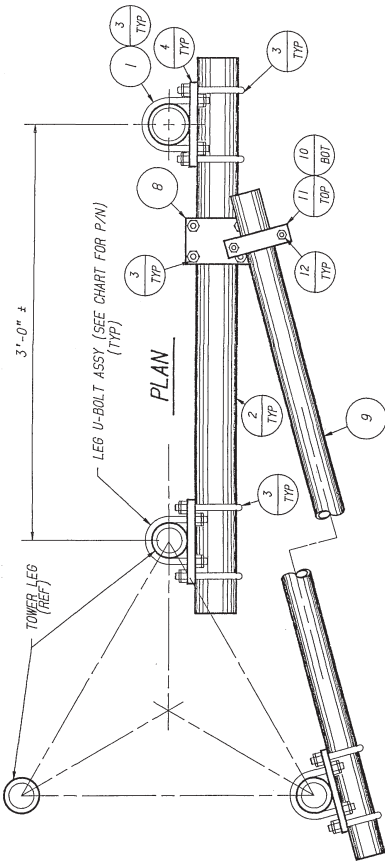




NOTE: SIDE ARM MOUNTING PLATES MUST BE LOCATED AS CLOSE AS POSSIBLE TO LEG-BRACE INTERSECTION.



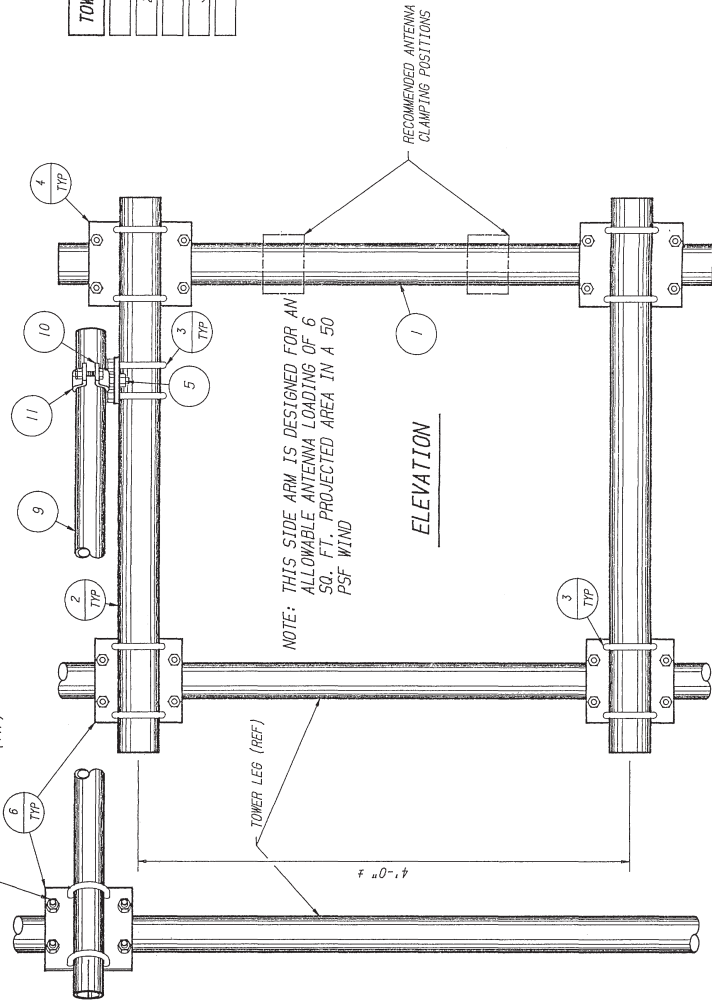
NOTE: WASHERS ARE PROVIDED FOR ALL SLOTTED HOLES

SIDE ARM ASSEMBLY BILL OF MATERIAL				
ITEM	QTY	PART NO.	DESCRIPTION	DWG NO.
1	1	KH275	MOUNTING PIPE 2STD X 5'-0" LG.	B770160
2	2	KH1279	MOUNTING PIPE 2STD X 4'-0" LG.	B770160
3	16	JRB2A	U-BOLT ASSY	B651028
4	2	KY14	CONNECTION PLATE	C740106
5	1	230015	1/2" ANCD NUT	N/A
6	3	KH1614	MOUNTING PLATE	B810894
7	6	SEE CHART	LEG U-BOLT ASSY WASHERS	B651028
8	1	KY1159	TIE-BACK CONNECTION PLATE	B841241
9	1	KH283	SWY BRACE 2STD X 13'-4" LG.	B770160
10	1	KY1073	SADDLE CLAMP (LOWER)	B540924
11	1	D114	SADDLE CLAMP (UPPER)	B770214
12	2	2100158A	3/8 X 4 BOLT ASSY	C770004

TOWER LEG SIZE	SIDE ARM ASSY P/N	LEG U-BOLT ASSY P/N
2" PIPE	SA32PL1TB	JRB3AW
2 1/2" PIPE	SA325PL1TB	JRB4AW
3" PIPE	SA33PL1TB	JRB5AW
3 1/2" PIPE	SA335PL1TB	JRB6AW
4" PIPE	SA34PL1TB	JRB5AW

NOTE: THIS TIE-BACK ARRANGEMENT IS TO BE USED ONLY AT LOCATIONS ON TOWERS WITH A FACE SPREAD OF 8'-6"± OR LESS

NOTE: THIS SIDE ARM IS DESIGNED FOR AN ALLOWABLE ANTENNA LOADING OF 6 SQ. FT. PROJECTED AREA IN A 50 PSF WIND



R2	REDRAWN & ADDED NOTE	2-6-90/FHT/2P/TZ
R1	REVISED W/AS K1283 IN B.O.M.	12/19/86
NO. Revision Description		Date

**ROHN**

**3' SIDE ARM ASSY W/1 TIE-BACK FOR STRAIGHT OR TAPERED TOWER SECTIONS**

Scale: NONE  
 Drawn by: RKB 11/4/86  
 Checked by: GFW 12/4/86  
 Approved by: Engineering 12/5/86

Unless otherwise specified, dimensions are given in inches.  
 Fractions: Decimals  
 Angles: Weight  
 Finish: Material

This drawing is the property of UNR-Rohn. It is not to be reproduced, copied or traced in whole or in part without our written permission.

Approved by: Salye 12/5/86  
 Date: 12/5/86  
 Drawing Number: C861003 R2