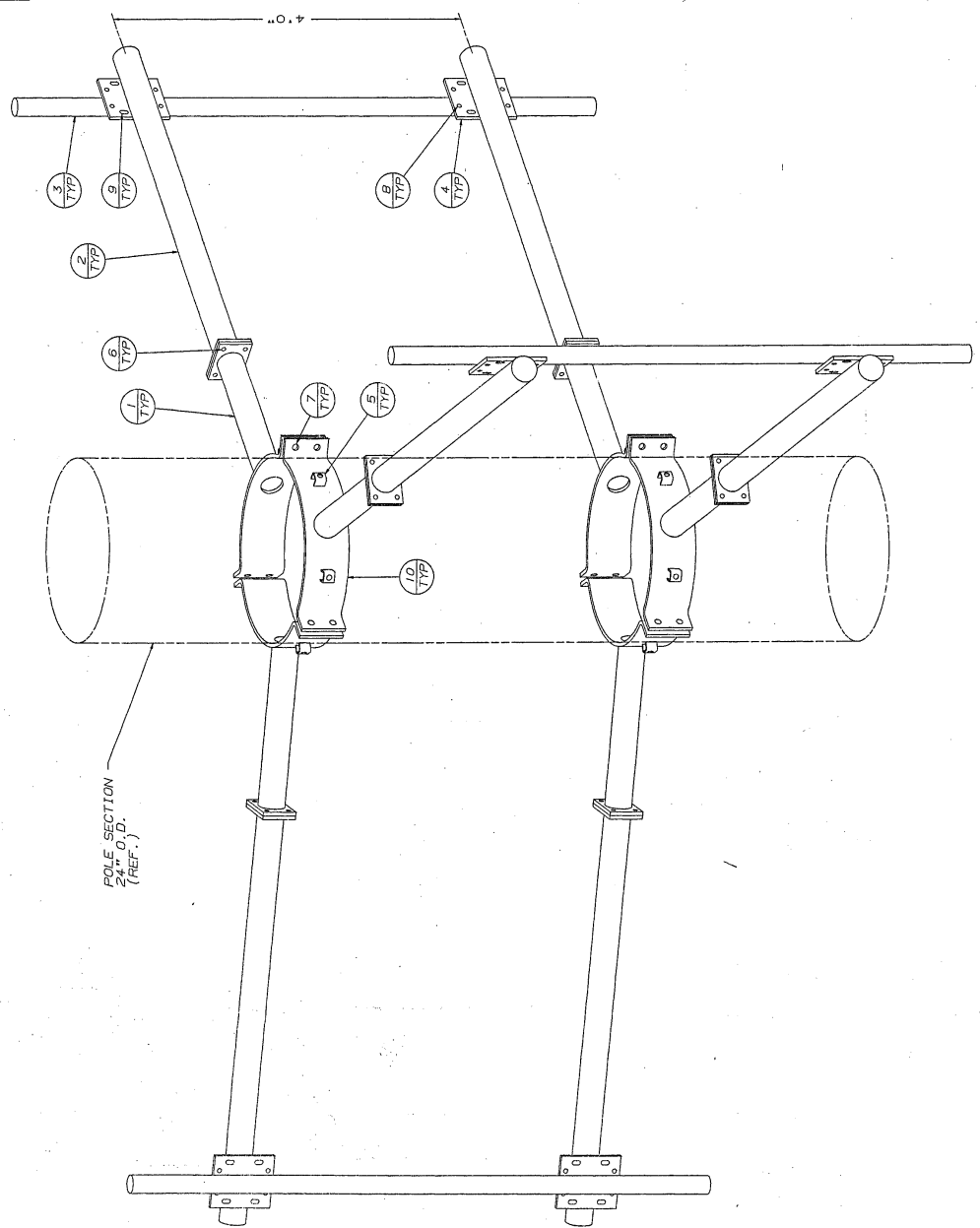


BILL OF MATERIAL				
ITEM	QUAN.	QUAN.	DESCRIPTION	CHG. NO.
1	2	4	6	0201584
2	2	4	6	0201584
3	1	2	3	0201584
4	2	4	6	0201584
5	12	12	12	0201584
6	12	12	12	0201584
7	12	12	12	0201584
8	4	4	4	0201584
9	4	4	4	0201584
10	4	4	4	0201584

VY4725A (3 SIDE ARMS)  
 VY4725A2 (2 SIDE ARMS)  
 VY4725A1 (1 SIDE ARM)



**GENERAL NOTES**  
 1. WASHERS ARE PROVIDED FOR ALL SLOTTED HOLES.  
 2. THIS SIDE ARM IS DESIGNED FOR A MAXIMUM THRUST OF 300 LBS.

1. 0201584 (REV. 03/15) VY4725A1 & VY4725A2 W.A. BULLARD/DAVID L. WILSON A. DALLA/DAVID L. WILSON		0201584 (REV. 03/15) 250 A. DALLA/DAVID L. WILSON
THIS DRAWING IS THE PROPERTY OF ROHN, IT IS NOT TO BE REPRODUCED OR TRANSMITTED IN ANY FORM OR BY ANY MEANS, ELECTRONIC OR MECHANICAL, INCLUDING PHOTOCOPYING, RECORDING, OR BY ANY INFORMATION STORAGE AND RETRIEVAL SYSTEM.		
Scale: NONE Date: 7/1/11	Drawn: JLN Date: 8/1/02	<b>ROHN</b>
Checked: JLN Date: 8/28/02	App. Engr.: JLN Date: 8/28/02	POLE 6' ADJUSTABLE SIDE ARM ASSEMBLY
App. Sr. Engr.: JLN Date: 8/28/02	Date: 8/28/02	Drawing No.: 0920744R