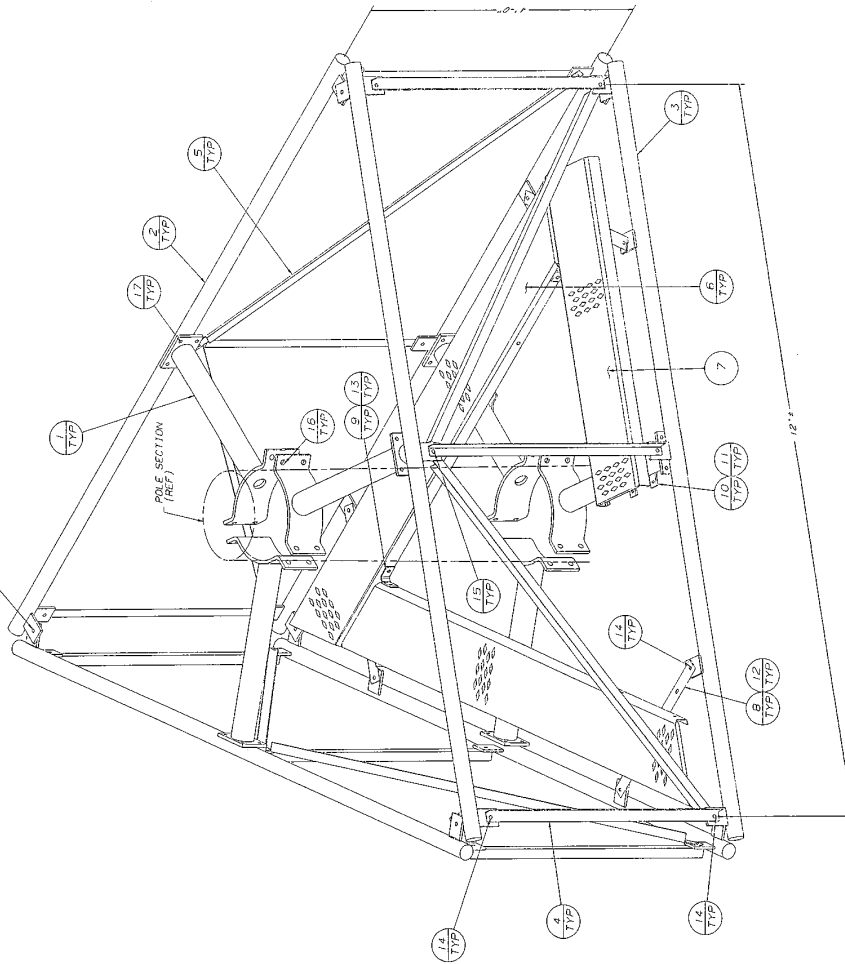




BILL OF MATERIAL				
ITEM	QUAN.	PART NO.	DESCRIPTION	DRG. NO.
1	6	VY5007	SIZE ANGLE CLAMP	DS40567
2	3	VY4863	UPPER MOUNTING PIPE	BS4272
3	3	VY4855	LOWER MOUNTING PIPE	BS3272
4	6	VY4851	WASHER	BS3272
5	6	VY4851	CLAS WASHER	BS3272
6	2	VY2829	WALKWAY PANEL	BS42765
7	1	VY2829	WALKWAY SUPPORT ANGLE	BS42767
8	3	VY4737	CLIP	BS40580
9	2	SR10	CLIP	SR100589
10	2	VY4851	CLAS WASHER	BS3272
11	12	VY4851	CLAS WASHER	BS3272
12	6	VY4851	CLAS WASHER	BS3272
13	4	21001704	1/2" X 1-1/4" BOLT ASSY	C770404
14	8	21001804	1/2" X 1-1/2" BOLT ASSY	C770404
15	8	21001804	1/2" X 1-1/2" BOLT ASSY	C770404
16	12	21003004	1/2" BOLT ASSY	C770404
17	12	21003004	1/2" BOLT ASSY	C770404

GENERAL NOTES

1. WASHERS ARE PROVIDED WITH ALL SLOTTED HOLES.
2. ITEM NUMBER 5, 7 MAY BE ARRANGED IN SUCH A MANNER TO ACCOMMODATE ONE OR MORE ANTENNAS.
3. CHECK AND, IF REQUIRED, RETIGHTEN ALL BOLTS AFTER ANTENNA INSTALLATION AND AT EACH SCHEDULED INSPECTION THEREAFTER.



ASSY P/N: VY5005A

POLE MOUNTING FRAME W/O EXTENSION WITH WALKWAY FOR 24" POLE	
DATE	11/11/11
BY	11/11/11
CHKD	11/11/11
APP'D	11/11/11
REV	11/11/11
DRG. NO.	DS40567

ROHN