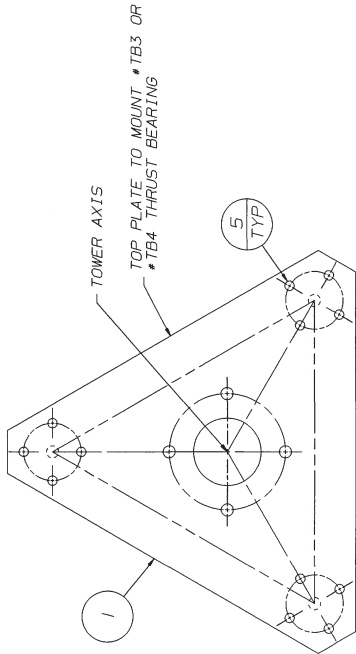


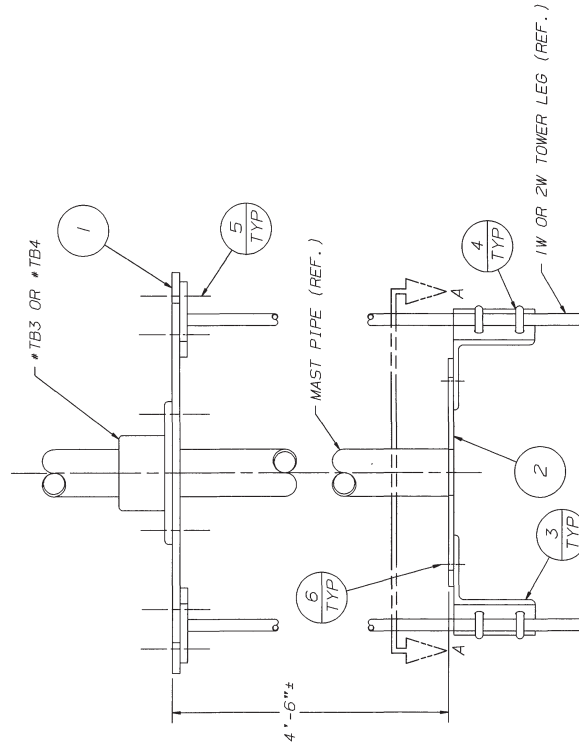


BILL OF MATERIAL			DWG. NO.
ITEM	QUAN.	PART NO.	DESCRIPTION
1	1	VU476	TOP PLATE
2	1	VU477	ROTOR PLATE
3	3	VU478	ANGLE BRACKET
4	6	JR67A	U-BOLT ASSY
5	12	2100086A	3/8" X 1-1/2" BOLT ASSY
6	3	2100076AW	3/8" X 1-3/8" BOLT ASSY W/WASHERS
			C770404

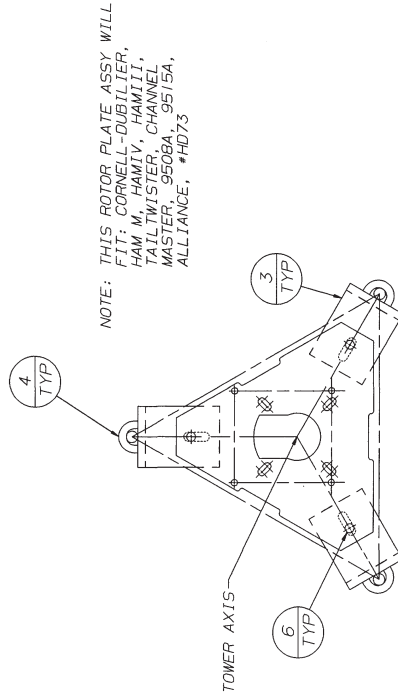
NOTE: FLAT WASHERS ARE PROVIDED FOR ALL SLOTTED HOLES.



PLAN



ELEVATION



VIEW A-A
ASSY P/N: VU479A

No. Revision Description		Date	Rev. By	App'd By
THIS DRAWING IS THE PROPERTY OF ROHN. IT IS NOT TO BE REPRODUCED, COPIED OR TRACED IN WHOLE OR IN PART WITHOUT OUR WRITTEN CONSENT.				
Scale:	None	By:	SRH	Date:
Drawn:	SRH	Date:	12/27/94	Title:
Checked:	WMM	Date:	2-21-95	ROTOR PLATE ASSEMBLY FOR 1W AND 2W
App. Sales:	DA	Date:	2-22-95	ENG. FILE:
				DRAWING NO.: C941612

ROHN