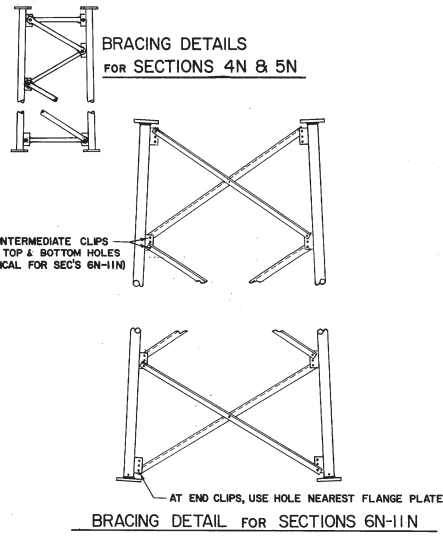


### TOWER SCHEDULE

SECTION NO.	SPREAD DIMENSION		TOWER LEGS 80 KSI YIELD STR.	TOWER BRACES MIN. 33 KSI YIELD STR.	FLANGE PLATES		FLANGE BOLTS	BRACE BOLTS
	UPPER	LOWER			TOP	BOTTOM		
1 W	1-2"	1-2"	9/16" Ø SOLID	3/8" Ø SOLID	3 X 3 X 3/8 2 1/2 X 3/8 B.C.	3 X 3 X 3/8 2 1/2 X 3/8 B.C.	12-3/8 X 1 1/2"	NONE
2 W	1-2"	1-6"	3/4" Ø SOLID	3/8" Ø SOLID	3 X 3 X 3/8 2 1/2 X 3/8 B.C.	3 X 3 X 3/8 2 1/2 X 3/8 B.C.	12-3/8 X 1 1/2"	NONE
3 WN	1-6"	1-10"	15/16" Ø SOLID	7/8" Ø SOLID	3 X 3 X 3/8 2 1/2 X 3/8 B.C.	4 X 4 X 1/2 3 1/2 X 1/2 B.C.	12-1/2 X 2"	NONE
4 N	1-10"	2-2"	1 1/4" Ø SOLID	5/8" Ø SOLID	4 X 4 X 1/2 3 1/2 X 1/2 B.C.	4 1/2 X 4 1/2 4 1/4 X 1/4 B.C.	12-5/8 X 2 1/4"	72-3/8 X 1 1/2"
5 N	2-2"	2-6"	1 1/8" Ø SOLID	5/8" Ø SOLID	4 1/2 X 4 1/2 4 1/4 X 1/4 B.C.	4 1/2 X 4 1/2 4 1/4 X 1/4 B.C.	12-5/8 X 2 1/4"	72-3/8 X 1 1/2"
6 N	2-6"	4-6"	2" Ø PIPE	∠ 1 1/2 X 1 1/2 X 1/8"	4 1/2 X 4 1/2 X 3/8 4 1/4 B.C.	5 X 5 X 3/4 4 1/8 B.C.	12-5/8 X 2 1/2"	75-1/2 X 1 1/4"
7 N	4-6 1/4"	6-6 3/4"	2" Ø PIPE	∠ 1 1/2 X 1 1/2 X 1/8"	5 X 5 X 3/4 4 1/8 B.C.	5 X 5 X 3/4 4 1/8 B.C.	12-5/8 X 2 1/2"	75-1/2 X 1 1/4"
8 N	6-6 3/4"	8-6 3/4"	2 1/2" Ø PIPE	∠ 1 1/2 X 1 1/2 X 1/8"	5 X 5 X 3/4 4 1/8 B.C.	5 X 5 X 3/4 4 1/8 B.C.	12-5/8 X 2 1/2"	60-1/2 X 1 1/4"
9 N	8-6 3/4"	10-6 3/4"	2 1/2" Ø PIPE	∠ 1 3/4 X 1 3/4 X 1/8"	5 X 5 X 3/4 4 1/8 B.C.	5 X 5 X 3/4 4 1/8 B.C.	12-5/8 X 2 1/2"	45-1/2 X 1 1/4"
10 N	10-6 3/4"	12-7 1/4"	2 1/2" Ø PIPE	∠ 2 X 2 X 1/8"	5 X 5 X 3/4 4 1/8 B.C.	6 X 6 X 3/4 5 1/2 X 3/2 B.C.	12-3/4 X 2 1/2"	45-1/2 X 1 1/4"
11 N	12-7 1/4"	14-7 7/8"	3" Ø PIPE	∠ 2 1/2 X 2 1/2 X 3/16"	6 X 6 X 3/4 5 1/2 X 3/2 B.C.	7 X 7 X 1/2 7 1/16 B.C.	12-7/8 X 3 1/2"	45-1/2 X 1 1/4"
12 N	14-7 7/8"	16-8 3/8"	3 1/2" Ø PIPE	∠ 3 X 3 X 3/16"	7 X 7 X 1/2 7 1/16 B.C.	7 X 7 X 1/2 7 1/16 B.C.	12-7/8 X 3 1/2"	30-5/8 X 1 1/2"
13 N	16-8 3/8"	18-8 3/8"	4" Ø PIPE	∠ 3 X 3 X 1/4"	7 X 7 X 1/2 7 1/16 B.C.	7 X 7 X 1/2 7 1/16 B.C.	12-7/8 X 3 1/2"	30-5/8 X 1 1/2"
14 N	18-8 3/8"	20-9 3/8"	4" Ø PIPE	∠ 3 1/2 X 3 1/2 X 1/4"	7 X 7 X 1/2 7 1/16 B.C.	9 1/2 X 9 1/2 X 1/4 9 1/2 B.C.	12-1 X 4 1/4"	30-5/8 X 1 1/2"
15 N	20-9 3/8"	22-9 3/8"	5" Ø PIPE	∠ 4 X 4 X 1/4"	9 1/2 X 9 1/2 X 1/4 9 1/2 B.C.	9 1/2 X 9 1/2 X 1/4 9 1/2 B.C.	12-1 X 4 1/4"	30-5/8 X 1 1/2"
16 N	22-9 3/8"	24-9 3/8"	5" Ø PIPE	∠ 4 X 4 X 1/4"	9 1/2 X 9 1/2 X 1/4 9 1/2 B.C.	9 1/2 X 9 1/2 X 1/4 9 1/2 B.C.	12-1 X 4 1/4"	30-5/8 X 1 1/2"

\* ASTERISK INDICATES THAT THE BOTTOM FLANGE P. OF THAT SECTION IS OFFSET.  
\*\* A325 (3/8" DIA. BOLTS S.A.E. GRADE 5)



### WEIGHTS

SEC. NO.	LEGS	BRACES	TOTAL
1 W			116
2 W			160
3 WN			230
4 N	260	175	435
5 N	345	195	540
6 N	290	190	480
7 N	300	245	545
8 N	426	274	700
9 N	420	300	720
10 N	430	400	830
11 N	570	840	1,410
12 N	690	825	1,515
13 N	790	910	1,700
14 N	845	1,625	2,470
15 N	1,155	2,000	3,155
16 N	1,155	2,150	3,305

**GENERAL NOTES:**

- LEG PART NO. IS STAMPED AT THE BOTTOM OF EACH LEG OF EACH BOLTED SECTION. SECTION NO. IS STAMPED AT BOTTOM OF ONE LEG OF EACH WELDED SECTION.
- ALL PART NO'S METAL STAMPED BEFORE GALVANIZING.
- PAL NUTS PROVIDED FOR ALL TOWER BOLTS, SEE DWG. A790135.
- STEP BOLTS PROVIDED ON ONE LEG FOR SECTIONS 6N THRU 11N, AND STEP BOLTS ON 3 LEGS FOR SECTIONS 12N THRU 16N.
- ALL TOWER MEMBERS ARE HOT-DIPPED GALVANIZED AFTER FABRICATION.
- SEE DWG. D.870480 FOR FOUNDATION DETAILS.

NO.	DESCRIPTION	DATE	BY
R10	ADDED A325 REV. NOTES.	3-22-88	SW
R9	REV. 2-PIECE BRACING TO 1-PIECE.	8-27-85	SW
R7	REVISED 14N BRACING & BOLT QTY'S.	2-6-85	SW
R6	ADD SECTION A325 DWG. 14N.	3-20-81	SW
R5	REVISED 5N, 10N, 11N, ADD LEG 7, 1/2".	12-27-79	SW
R4	CHANGED 14N, 15N, 16N BRACE MAT'L & WTS.	12-10-78	SW
R3	FLANGE BOLTS IN SECS. 4N WERE 2 1/2" LG.	2/17/72	SW
R2	SECT. 3WN WAS 3W	7/16/71	SW
R1	SECTIONS 4W & 5W REPL BY 4N & 5N	5/5/71	GWA

**Unarco-Rohn**  
Division of IRI Industrial, Inc.

**MODEL SSV TOWER  
STANDARD SERIES**

THIS DRAWING IS THE PROPERTY OF UNARCO-ROHN. IT IS NOT TO BE REPRODUCED OR TRANSMITTED IN ANY FORM OR BY ANY MEANS, WITHOUT THE WRITTEN CONSENT OF UNARCO-ROHN.

DATE: 8-1-89  
DRAWN BY: [Signature]  
CHECKED BY: [Signature]  
SCALE: AS SHOWN  
DWG. NO: 690800  
REV: 1