

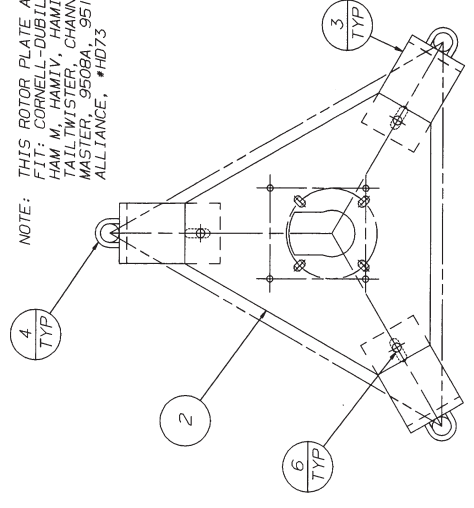
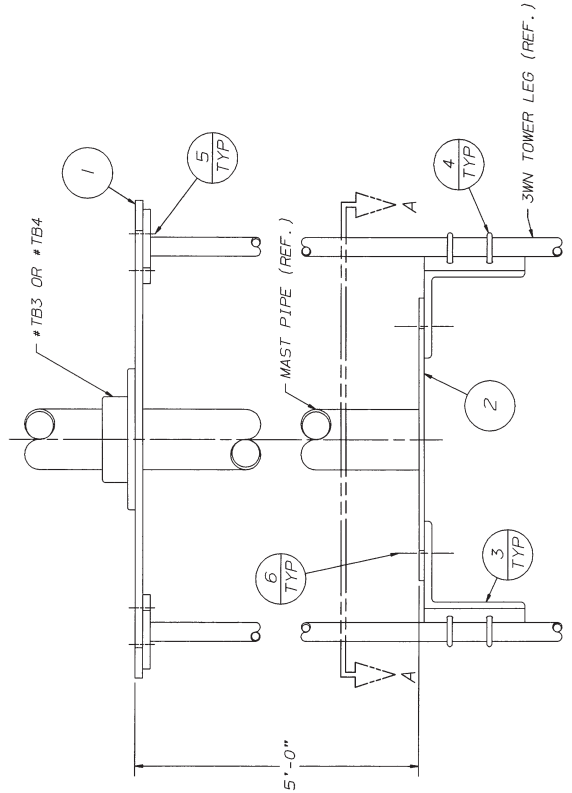
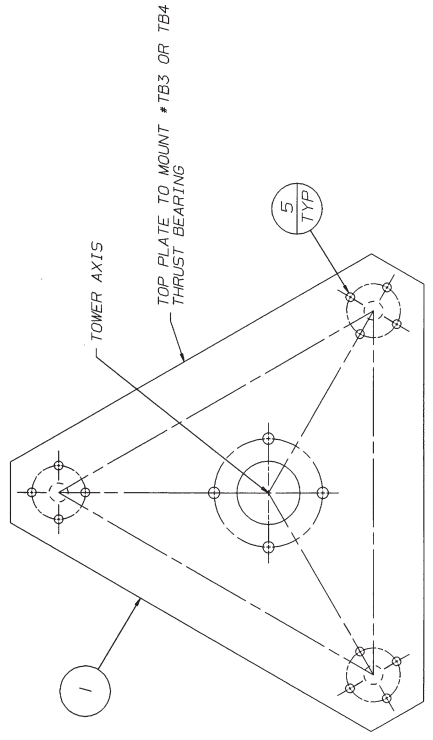


BILL OF MATERIAL

ITEM	QUAN.	PART NO.	DESCRIPTION	DWG. NO.
1	1	VU111	TOP PLATE	B7B1304
2	1	VU112	ROTOR PLATE	C7B1604
3	3	VU113	ANGLE BRACKET	B690816
4	6	JRK1A	U-BOLT ASSY.	B651028
5	12	210008GA	3/8" X 1-1/2" BOLT ASSY	C70404
6	3	2100076AW	3/8" X 1-3/8" BOLT ASSY W/WASHERS	C70404

NOTE: FLAT WASHERS ARE PROVIDED FOR ALL SLOTTED HOLES.

NOTE: THIS ROTOR PLATE ASSY WILL FIT: CORNELL-DUBILIER, HAM M, HAMIV, HANMII, TAILTWISTER, CHANNEL MASTER, 9508A, 9515A, ALLIANCE, #HD73



ASSY P/N: VU474A

No.	Revision Description	Date	Rev. By	Chk. By	App. By
1	Initial Issue				

THIS DRAWING IS THE PROPERTY OF ROHN, INC. IT IS NOT TO BE REPRODUCED OR TRANSMITTED IN ANY FORM OR BY ANY MEANS, ELECTRONIC OR MECHANICAL, INCLUDING PHOTOCOPYING, RECORDING, OR BY ANY INFORMATION STORAGE AND RETRIEVAL SYSTEM, WITHOUT THE WRITTEN CONSENT OF ROHN, INC.

ROHN

ROTOR PLATE ASSEMBLY FOR 3WN

Scale: NONE
 Drawn: GRH 2/4/95
 Checked: JMM Z-17-95
 App. Eng.: ZS Z-22-95
 App. Stress: DL Z-11-95

ENG. FILE: C941500
 DRAWING NO.: C941500