

REVISIONS		DWN	CHK	APP
REV.	DESCRIPTION			
1	REVISED (TITLER) LOCK FOR GENERAL USE	JWS	MAR	HA
	DATE: 04/30/2007			

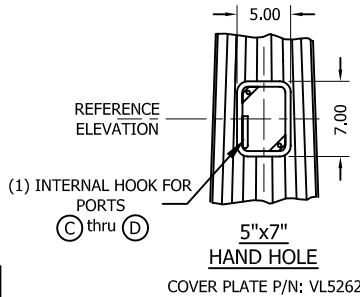
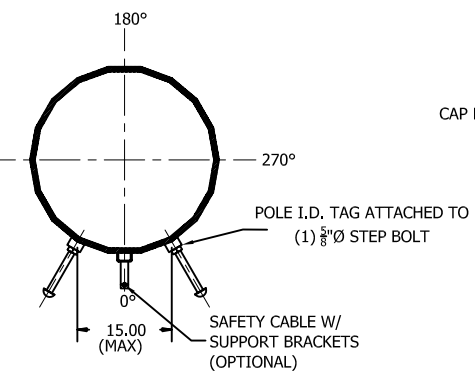
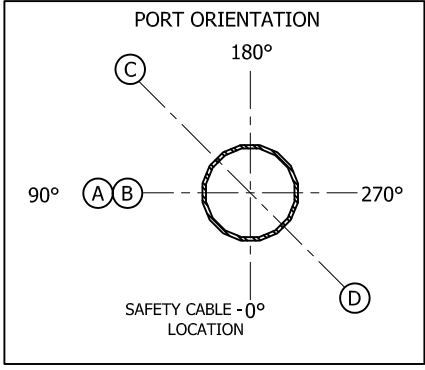
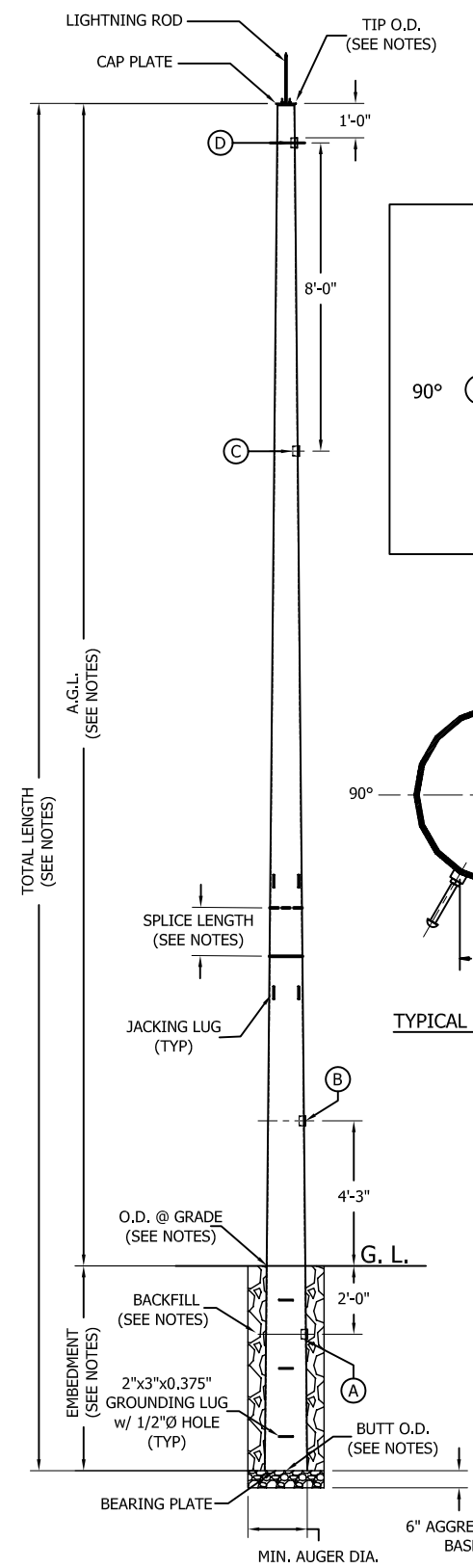
DWG REFERENCE	

ROHN
PRODUCTS
6718 WEST PLANK ROAD
PEORIA, IL 61604
TOLL FREE 800-727-ROHN

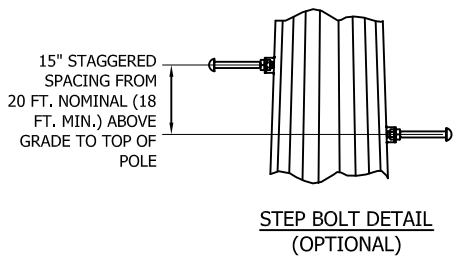
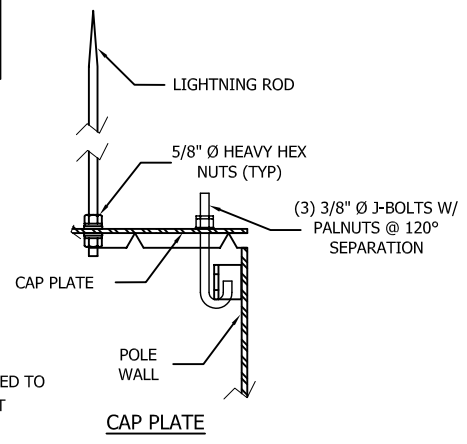
THIS DRAWING IS THE PROPERTY OF ROHN PRODUCTS. IT IS TO BE REPRODUCED, COPIED OR TRACED IN WHOLE OR IN PART WITHOUT OUR WRITTEN CONSENT.

TAPERED MONOPOLE
DESIGN - BROADBAND

DWN:	MAR	CHK'D:	HA	DATE:	Mar/01/2007	
ENGR:			HA			
DRAWING NO:	A070080-1				REV:	1



PORT SIZES	
(A)(B)(C)(D)	5" X 7"
PORT COVERS PROVIDED FOR ALL PORTS	



- NOTES**
1. REFER TO ATTACHED *POLE DESIGN PROPERTIES* FOR NUMBER OF SECTIONS, SPLICE LENGTHS, POLE DIMENSIONS, MINIMUM AUGER DIAMETER, AND BACKFILL TYPE.
 2. REFER TO SHEET 2 FOR GENERAL NOTES.