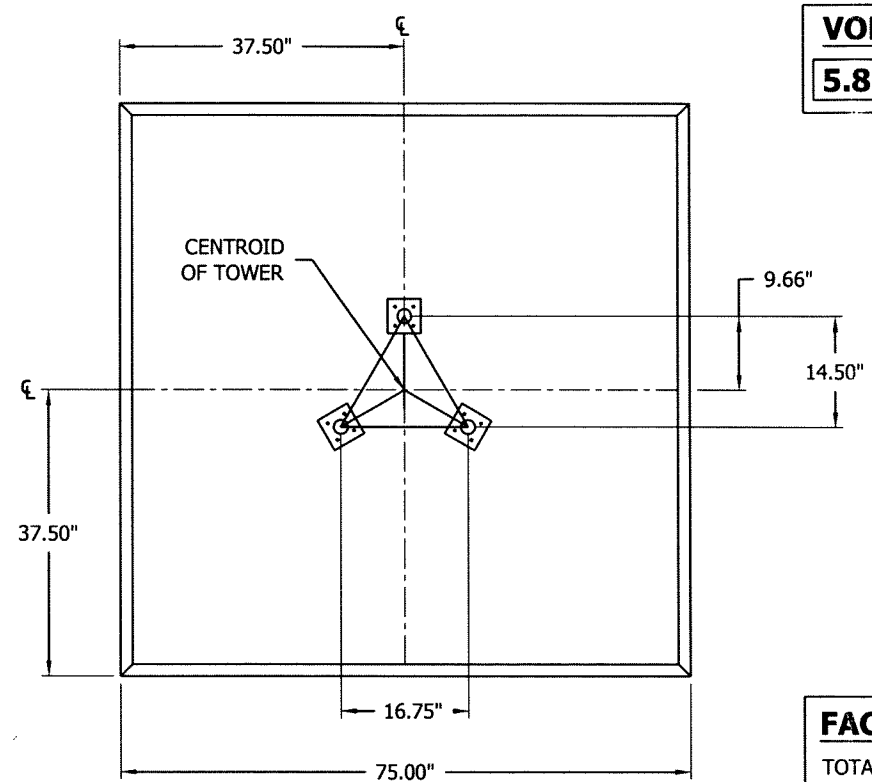


REVISIONS

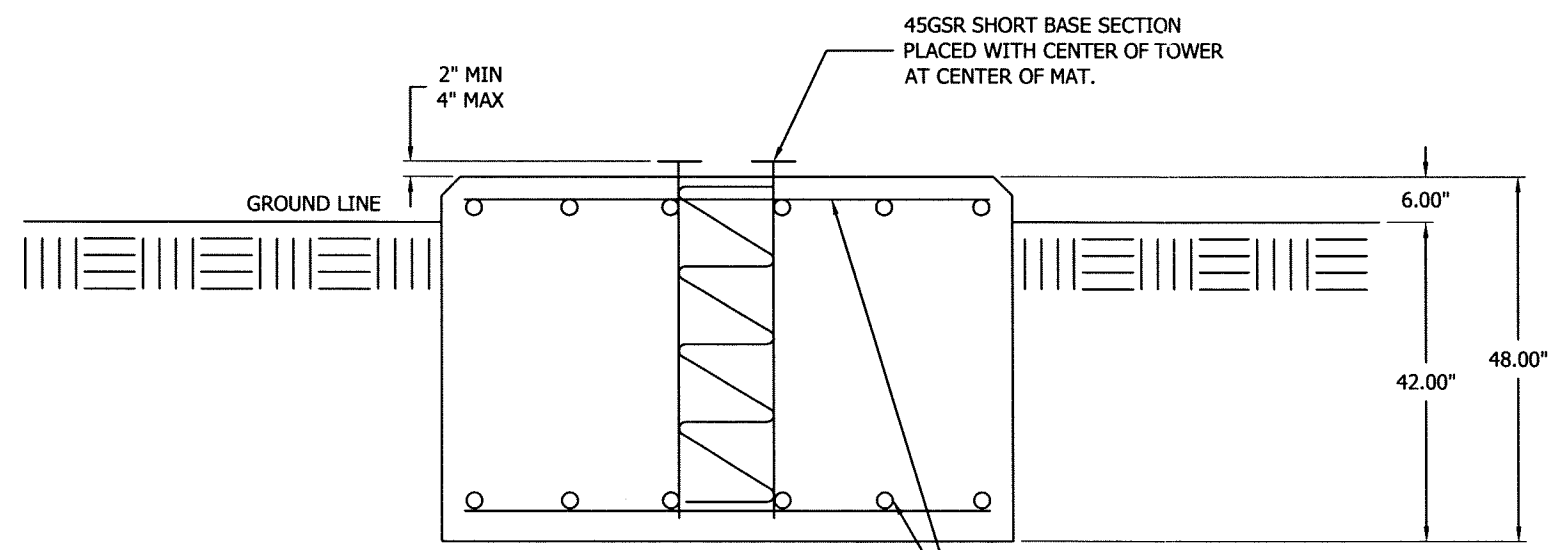
REV.	DESCRIPTION	DWN	CHK	APP
------	-------------	-----	-----	-----



VOLUME OF CONCRETE
5.8 Cu. Yds.

FACTORED REACTIONS
 TOTAL O.T.M. = 54.8 FT.-KIPS
 TOTAL SHEAR = 1.9 KIPS
 TOTAL AXIAL = 1.7 KIPS

PLAN



ELEVATION

No. 7 HORIZONTAL BARS 12" O.C.
 EACH WAY, TOP AND BOTTOM

-SEE DWG. #B090548 FOR
 GENERAL FOUNDATION NOTES.

DWG REFERENCE



PO BOX 5999
 PEORIA, IL 61601-5999
 TOLL FREE 800-727-ROHN

THIS DRAWING IS THE PROPERTY OF ROHN. IT IS NOT TO BE REPRODUCED, COPIED OR TRACED IN WHOLE OR IN PART WITHOUT OUR WRITTEN CONSENT.

**FOUNDATION
 MAT DETAIL (FOR FOLD OVER TOWER)**

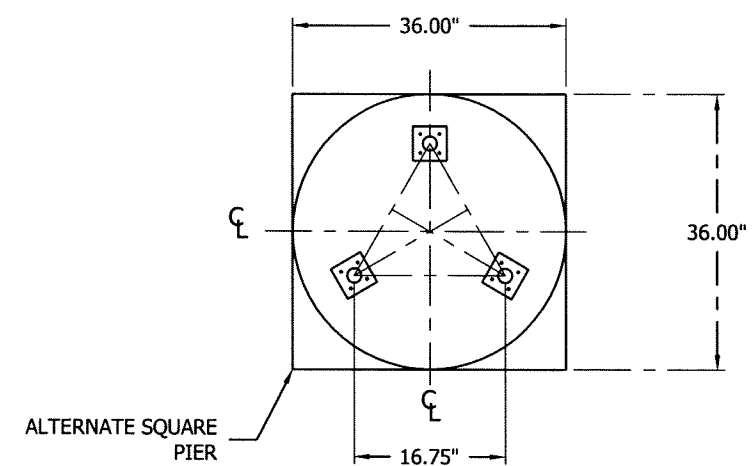
DWN: cj	CHKD: <i>[Signature]</i>	DATE: May/04/2011
ENG'R: <i>[Signature]</i>		
DRAWING NO: 55FK-FDNMAT	REV: 0	

May/04/2011 9:38:38 AM

1/2" = 1'

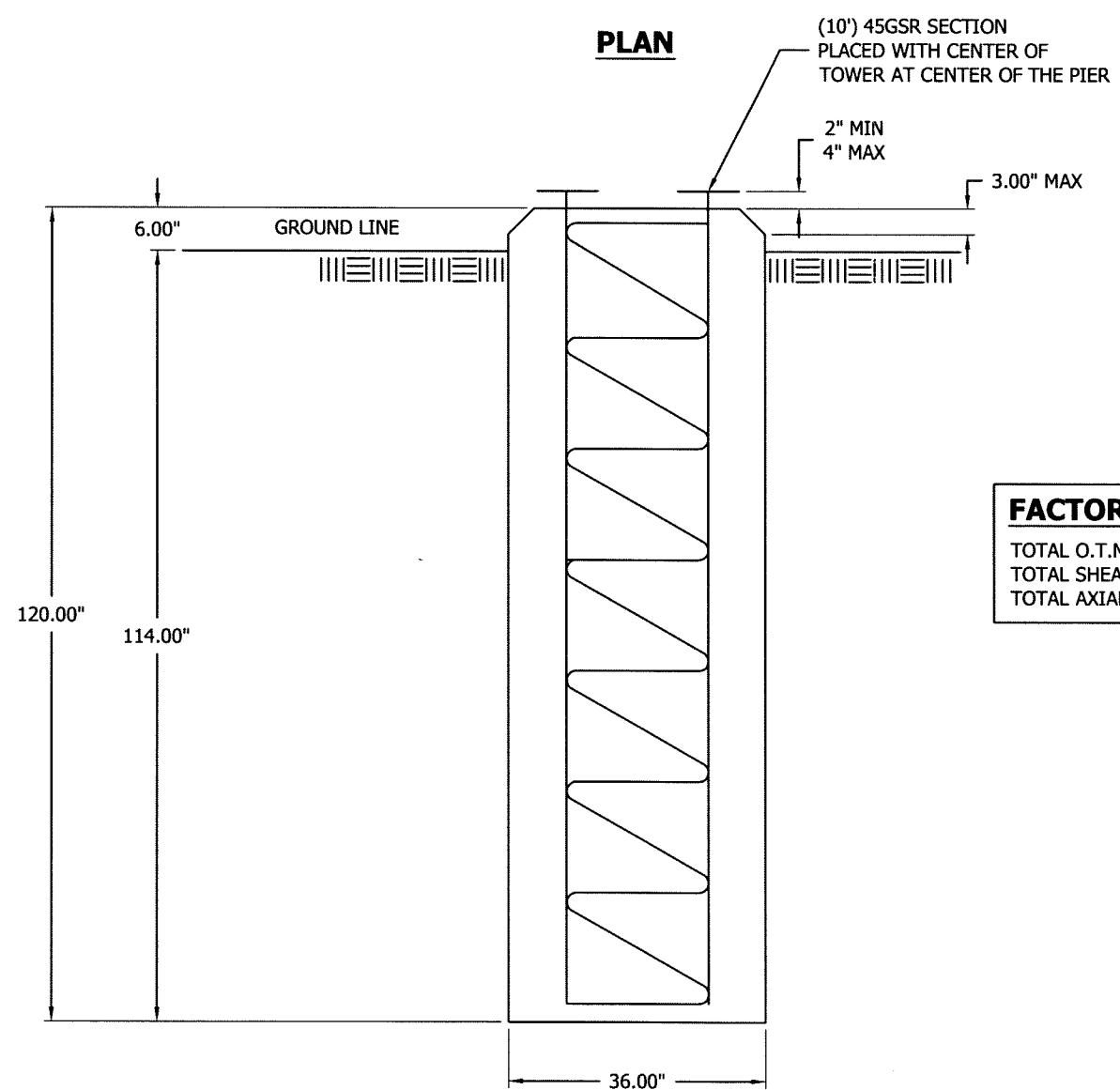
REVISIONS

REV.	DESCRIPTION	DWN	CHK	APP



VOLUME OF CONCRETE
 2.6 CU. YDS (ROUND PIER)
 3.3 CU. YDS (SQUARE PIER)
 [NO REINFORCING IN PIER]

PLAN



(10') 45GSR SECTION
 PLACED WITH CENTER OF
 TOWER AT CENTER OF THE PIER

2" MIN
 4" MAX

3.00" MAX

FACTORED REACTIONS
 TOTAL O.T.M. = 54.8 FT.-KIPS
 TOTAL SHEAR = 1.9 KIPS
 TOTAL AXIAL = 1.7 KIPS

ELEVATION

-SEE DWG. #B090548 FOR
 GENERAL FOUNDATION NOTES.

DWG REFERENCE



PO BOX 5999
 PEORIA, IL 61601-5999
 TOLL FREE 800-727-ROHN

THIS DRAWING IS THE PROPERTY OF ROHN. IT IS NOT TO BE
 REPRODUCED, COPIED OR TRACED IN WHOLE OR IN PART WITHOUT
 OUR WRITTEN CONSENT.

**FOUNDATION
 BASE PIER (FOR FOLD OVER TOWER)**

DWN:	CHK'D:	DATE:

ENG'R: *HA*

DRAWING NO:	REV:
55FK-FDNDP	0