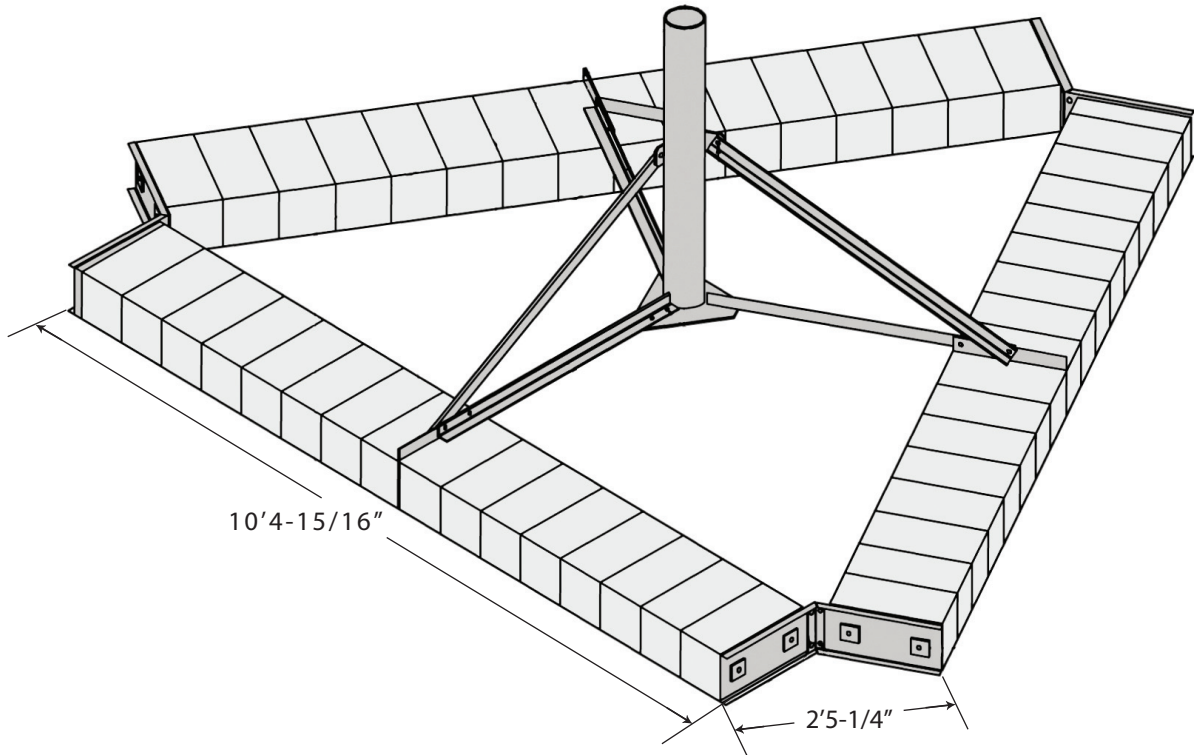


## PRM6

The PRM is a non-penetrating ballast roof mount. The mount is capable of supporting dishes with diameters up to 6 feet. Various sizes of masts are available, 3.5" to 5.5". The mount is hot dip galvanized after fabrication and easy to assemble. This mount is also UPS shippable.



### ALLOWABLE ANTENNA AREAS

Antenna Diameter (FT.)	Ballast (LBS)	Zero Velocity Load (PSF)	Design Wind Velocities Coefficient of Friction = .50					
			EL=0°		EL=20°		EL=40°	
			Vmax	Vs	Vmax	Vs	Vmax	Vs
4 (1.2M)	1600	17.2	145	122	180	137	198	168
	1800	19.4	154	130	184	146	198	179
	2000	21.5	162	137	187	154	198	188
	2200	23.7	168	144	189	161	198	197
	2400	25.8	171	150	189	168	198	198
6 (1.8M)	1600	17.2	97	81	117	91	126	112
	1800	19.4	102	86	123	97	132	119
	2000	21.5	108	91	125	102	132	125
	2200	23.7	112	96	126	107	132	131
	2400	25.8	114	100	126	112	132	132
	2600	28.0	116	104	126	117	132	132
	2800	30.1	118	108	126	121	132	132
	3000	32.3	120	112	126	125	132	132
	3200	34.4	122	115	126	126	132	132
	3400	36.6	124	119	126	126	132	132
	3600	38.7	125	122	126	126	132	132
	3800	40.9	125	125	126	126	132	132

### MAST SPECIFICATIONS

Mount Part No.	Mast Part No.	Description
PRM635	KY1672	PRM6 WITH 3 STD. Pipe (3.5" O.D.) Mast
PRM640	KY1673	PRM6 WITH 3.5 STD. Pipe (4" O.D.) Mast
PRM645	KY1674	PRM6 WITH 4 STD. Pipe (4.5" O.D.) Mast
PRM655	KY1675	PRM6 WITH 5 STD. Pipe (5.5" O.D.) Mast