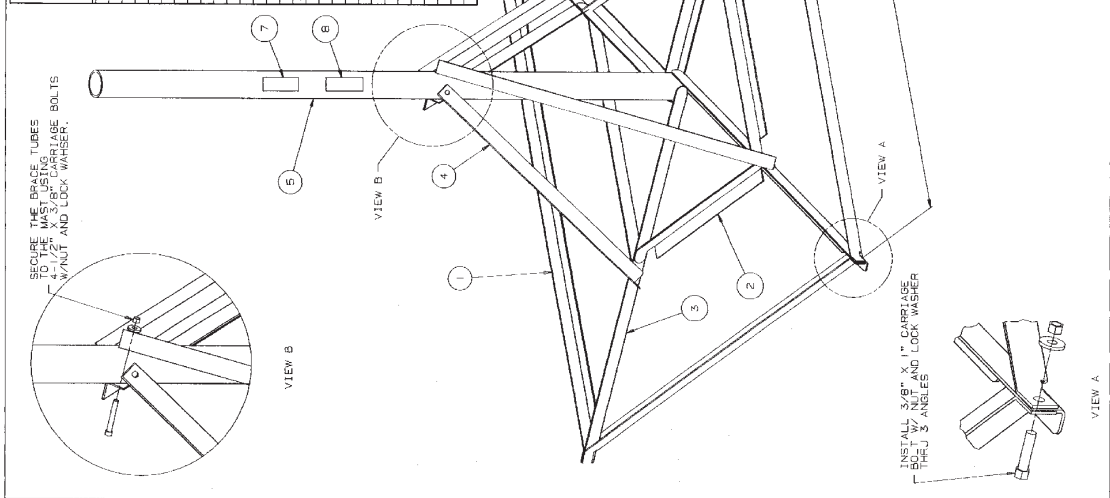




BILL OF MATERIAL

ITEM	PART NO.	DESCRIPTION	DWG NO.
4	4	FORMED ANGLE COMPONENT 62.29	PG 6560034
4	4	FORMED ANGLE COMPONENT 30.16	PG 6560035
4	4	FORMED ANGLE COMPONENT 44.28	PG 6560036
4	4	FORMED ANGLE COMPONENT 37.10	PG 6560038
1	1	5" MAST TUBE W/ HOW	PG 6560039
1	1	5" MAST TUBE TOP SECTION	PG 6560040
1	1	5" SWAGED MAST TUBE BOTTOM SECTION	PG 6560041
1	1	10" X 2-3/8" MAST TUBE W/ HOW 1 PIECE	PG 6560042
1	1	5" X 2-7/8" MAST TUBE ASSY W/ HOW	PG 6560043
1	1	5" SWAGED MAST TUBE BOTTOM SECTION	PG 6560044
1	1	10" X 2-7/8" MAST TUBE W/ HOW 1 PIECE	PG 6560045
1	1	10" X 3-1/2" MAST TUBE ASSY W/ HOW 1 PIECE	PG 6560052
1	1	STICKER DANGER WATCH WIRE	NO DWG
1	1	LABEL PATENT #1816875	NO DWG
1	1	BOLT 3/8-16 X 1" CARRIAGE BS	HQS 6560046
1	1	WASHER 3/8 SPLIT LOCK	HQS 6560047
1	1	NUT 3/8-16 HEX IN MCH BAL	HQS 6560048
1	1	ASSEMBLY PRINT DRAWING FOR JRM	D980022
1	1	BALLAST CHART DRAWING	ASB1812
1	1	IRMBASE W/ 5" X 2" MAST PIPE (2-3/8 O.D.) 1 PIECE	JRM23505
1	1	IRMBASE W/ 10" X 2" MAST PIPE (2-3/8 O.D.) 2 PIECE	JRM23510
1	1	IRMBASE W/ 5" X 2-1/2" MAST PIPE (2-7/8 O.D.) 1 PIECE	JRM27505
1	1	IRMBASE W/ 10" X 2-1/2" MAST PIPE (2-7/8 O.D.) 2 PIECE	JRM27510
1	1	IRMBASE W/ 10" X 3" MAST PIPE (3-1/2 O.D.) 1 PIECE	JRM35010



PRIOR TO INSTALLATION VERIFY THAT THE INSTALLATION, ROOF MATERIAL AND UNDERLYING STRUCTURE ARE CAPABLE OF WITHSTANDING ALL LOADS IMPOSED BY THIS APPROVED MOUNTING SYSTEM. CONFIRM THAT THE SUPPORTING SURFACES, ANCHORS, AND/OR SAFETY CABLES, ARE PROPERLY INSTALLED AND SECURED TO THE STRUCTURE IN ACCORDANCE WITH ALL APPLICABLE LOCAL, STATE AND FEDERAL REQUIREMENTS.

ALL ANTENNA INSTALLATIONS MUST BE GROUNDED TO MEET APPLICABLE CODES.

BEFORE BALLAST MATERIAL MUST BE DETERMINED AND PROVIDED BY OTHERS TO PREVENT OVERLOADING AND DOWNDRAFTING. CONSULT DRAWING ASB1812 FOR BALLAST AND ALLOWABLE ANTENNA AREAS. INFORMATION FROM RECOMMENDATIONS THAT BALLAST MATERIAL ALWAYS BE USED BEFORE TO MOUNTING THE ANTENNA AND THAT ROOF PADS AND MOUNT BE SECURED TO PREVENT HAZARDS FROM OCCURRING UNDER EXTREME WIND LOADING. IMMEDIATE REMOVAL OF BALLAST MATERIAL AFTER INSTALLATION AND TO INSURE THAT BALLAST MATERIAL IS FULLY SUPPORTED BY THE BALLAST.

WHEN BRACKETS, BRACKETS OR PADS ARE UTILIZED, THEY MUST BE COMPATIBLE WITH THE SUPPORTING SURFACE. THE MOUNT SHOULD BE DURABLE AND HAVE ADEQUATE STRENGTH. PRECAUTIONS SHOULD ALSO BE TAKEN TO PREVENT OVERLOADING AND DOWNDRAFTING TO THE SUPPORTING SURFACE WILL NOT OCCUR UPON WIND LOADING.

SAFETY CABLE KILLS CONSISTING OF A 3/16 EHS SAFETY CABLE (3950 BALLAST) ARE AVAILABLE AS AN OPTION. USE THREE CABLE CLAMPS AT EACH END CONNECTION WITH THE U-BOLT ON THE DEAD END OF THE CABLE.

SAFETY CABLE LENGTH

PART NO

100 FT

150 FT

ROOF PADS OR MATS ARE AVAILABLE AS AN OPTION. HIGH STRENGTH BRACKETS ARE PROVIDED. NUT LOCKING IS DEPENDENT UPON INITIAL TENSION IN BOLT. INSPECT MOUNT, ANTENNA AND TIGHTNESS OF NUTS AT SIX MONTH MAXIMUM INTERVALS.

ROHN INDUSTRIES
FRANKFORT, INDIANA 46041

JRM BALLAST ROOF MOUNT

NAME: _____
 TITLE: _____
 PHONE: _____
 ADDRESS: _____
 CITY: _____
 STATE: _____
 ZIP: _____

DATE OF ORDER: _____
 DATE OF DELIVERY: _____
 ORDER NUMBER: _____
 QUANTITY: _____

PART NO
D980022