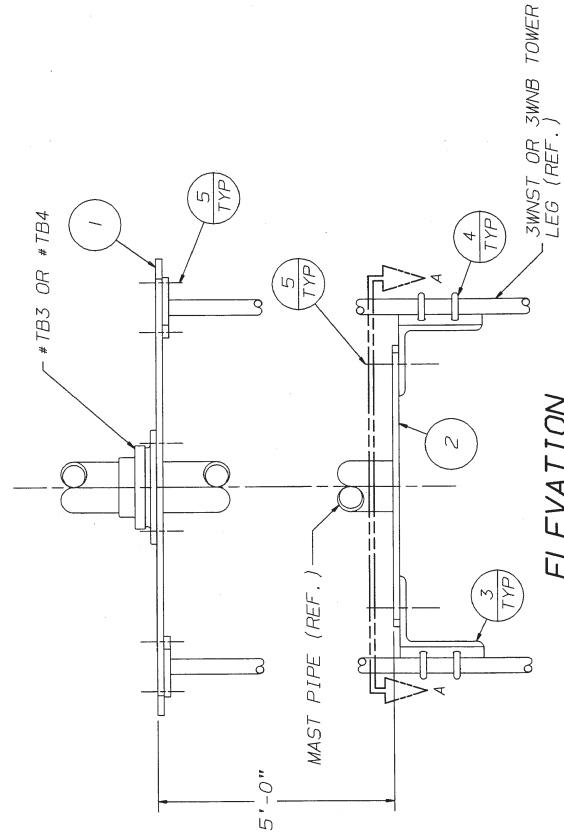
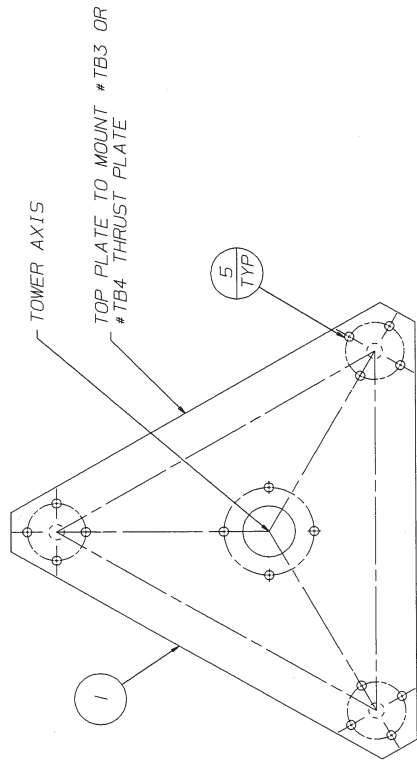




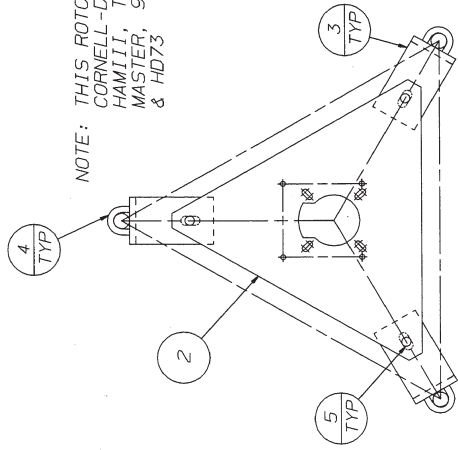
BILL OF MATERIAL				ASSY P/N: VU140	DWG. NO.
ITEM	QTY	PART NO.	DESCRIPTION		
1	1	VU92	TOP PLATE	B770497	
2	1	VU137	ROTOR PLATE	C791322	
3	3	VU138	ANGLE BRACKET	B790928	
4	6	JR67A	U-BOLT ASSY	B651028	
5	15	2100196A	1/2" X 1-3/4" BOLT ASSY	C770404	
6	3	250011G	1/2" WASHER	N/A	

NOTE: FLAT WASHERS ARE PROVIDED FOR ALL SLOTTED HOLES.

NOTE: THIS ROTOR PLATE ASSY WILL FIT CORNELL-DUBILIER, HAM M, HAMIV, HAMILI, TAIL TWISTER, CHANNEL MASTER, 9508A, 9515A, ALLIANCE, & HD73



VIEW A-A
ASSY P/N: VU140



R1 REDRAW & DELETED TB3 FROM B.O.M.		1/26/95	SRH	WMM	TS
No. Revision Description		Date	Rev. By	Ckd By	Appr By
ROHN					
THIS DRAWING IS THE PROPERTY OF ROHN. IT IS NOT TO BE REPRODUCED, COPIED OR TRACED IN WHOLE OR IN PART WITHOUT OUR WRITTEN CONSENT.					
Scale:	NONE	By:	KTL	Date:	11/14/79
Drawn:	JHD	Checked:	TS	Date:	12/5/79
App. Engr.:	JC	Date:	12/6/79	Title:	
App. Sales:	JC	Date:	12/6/79	ROTOR PLATE ASSY FOR 3WNST OR 3WNB	
DRAWING NO.: C791323R1				ENG. FILE:	